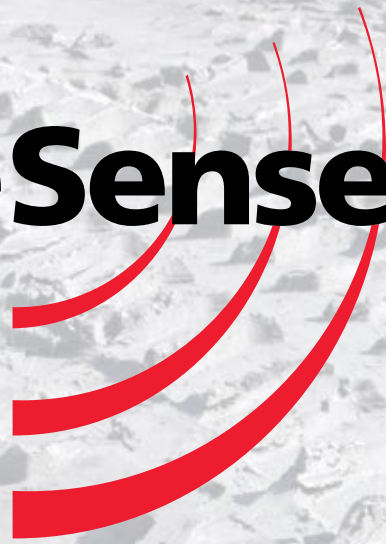
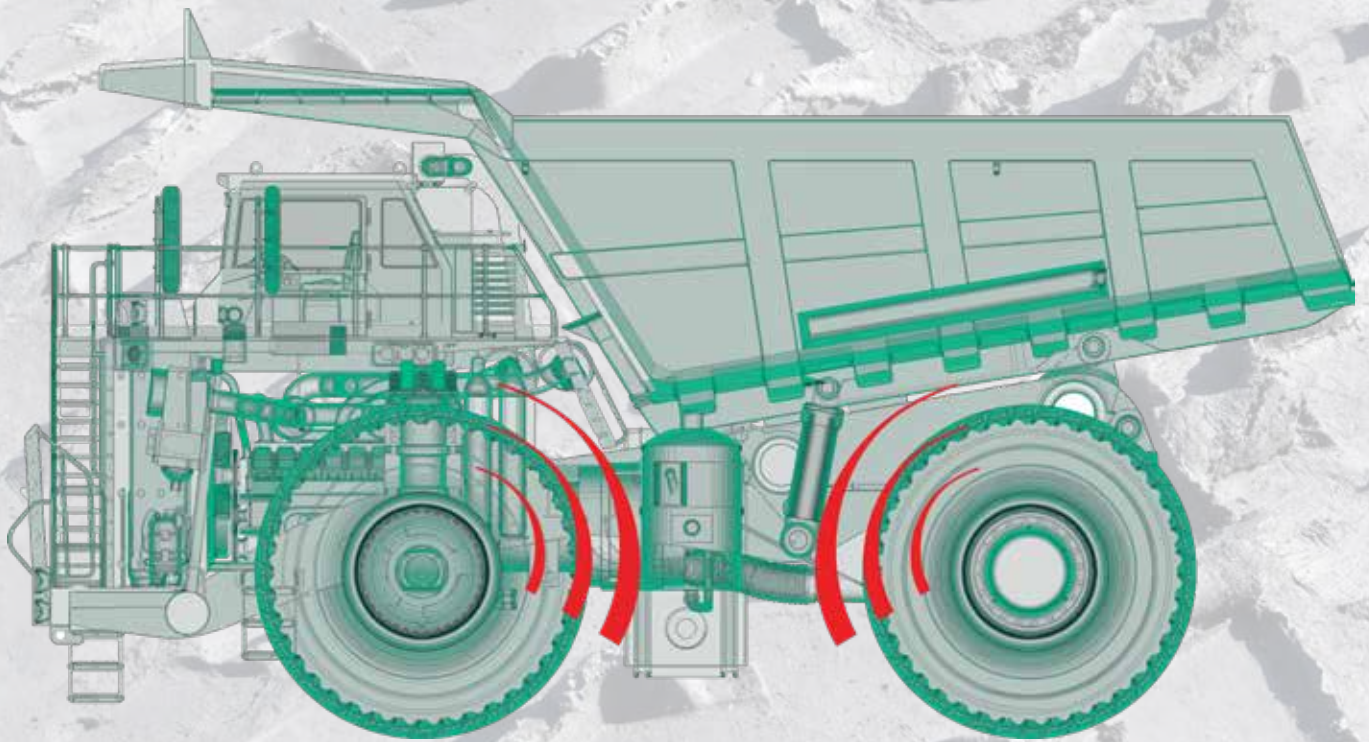


TyreSense



Tire Pressure and Temperature Management Solutions



Product Catalogue

For more information about RIMEX products and services:

visit: www.RIMEX.com

email: inquiries@RIMEX.com

RIMEX Supply Ltd. assumes no responsibility for the accuracy of the information presented in this guide, which is subject to change without notice and should not be considered a commitment by RIMEX Supply Ltd.

Trademarks are the property of their respective owners.

Copyright RIMEX Supply Ltd. 2022.

All rights reserved.

ABOUT TYRESENSE

TyreSense is a tire pressure and temperature monitoring system (TPMS) designed for mining or industrial operations of all sizes, with customizable kits for each industry. Our range of comprehensive tools and accessories make it easy to manage every aspect of tire monitoring across your entire site, from third-party fleet management system integration and Bluetooth compatibility, to advanced event monitoring and colour-coded operator alerts.

The TyreSense system is easy to set up, easy to use, and provides everything you need for effective tire management. Our innovative TPMS is compatible with every tire manufacturer's product, giving you the flexibility to choose the tires that work best for your site and the freedom to change at any point.

Since the beginning, RIMEX has maintained its ideal of open communication to create customer-tailored products. Every TyreSense system comes with the highest standard of durability, strength and reliability, as well as a long list of optional components that allow sites to customize the product to their needs. RIMEX incorporates these high standards into every system upgrade and new release.

TyreSense is fully designed, developed, and manufactured in-house by experienced RIMEX staff who stay closely connected to our clients and their needs. This flexibility allows us to adapt and respond quickly to all customer requirements. Our comprehensive software provides everything you need to monitor your entire fleet, ensuring you're always in touch.



CONTENTS

About TyreSense	4
TyreSense Mining Kits	6
TyreSense generation 4 (GEN4) Kits with Ethernet for Standard or Retrofit Installations	6
TyreSense Generation 3 (GEN3) Kits with Internal Wet Inflation or Dry Inflation Pressure/Temperature Sensors	7
TyreSense In-Cab Display Kit.	8
TyreSense In-Cab LCD Touch Screen Display Kit	8
TyreSense Sensors and Sensor Accessories.	8
TyreSense Internal Pressure and Temperature Sensor	8
TyreSense Dry Fit Sensor.	8
TyreSense Dry Fit Sensor Clamp	9
TyreSense Rubber C-Shaped Magmount	9
TyreSense Magmount Installation Tool.	9
TyreSense Sensor Buddy.	9
TyreSense Sensor Wake-Up Tool	9
TyreSense Installation and Cellular Kits	10
TyreSense GEN3 Installation Kit	10
TyreSense GEN4 HUB Standard Installation Kit.	10
TyreSense GEN4 HUB Retrofit Installation Kit.	10
TyreSense GEN4 HUB Cellular Kit	10
TyreSense Complementary Products	11
TyreSense Truck Repeater	11
TyreSense Uninterrupted Power Supply	11
TyreSense Rugged Handheld.	11
TyreSense IDX: Inflation/Deflation System	11
TyreSense IDX Power Supply	11
TyreSense Antennas and Cabling	12
TyreSense RF Receiving Antenna with Cable	12

TyreSense Bluetooth Antenna	12
TyreSense RF Whip Antenna	12
TyreSense Magnetic Bluetooth Extension Cable	12
TyreSense Cellular Antenna with Cable	12
TyreSense GPS Antenna with Cable and Mounting Hardware	12
TyreSense Power-Cord with Metal Connectors.	13

TYRESENSE MINING KITS

TYRESENSE GENERATION 4 (GEN4) KITS

Standard or Retrofit kits include communications via ethernet. For cellular and/or dual-mode (ethernet and cellular) communications, an optional antenna or cellular service kit may be added, each sold separately.

KIT PART NUMBERS	Wet Inflation	Dry Inflation
4 Position Kit:	TRS-KIT-4POS-HUB	TRS-GEN4-KIT-4POS-DRY
6 Position Kit:	TRS-KIT-6POS-HUB	TRS-GEN4-KIT-6POS-DRY
12 Position Kit:	TRS-KIT-12POS-HUB	TRS-GEN4-KIT-12POS-DRY
HUB Replacement Only:	TRS-GEN4-HUB	

KITS INCLUDE:

TyreSense Gen4 HUB Controller Part Number: TRS-GEN4-HUB		
	Wet Inflation Sensors	Dry Inflation Sensors
TyreSense Pressure/Temperature Sensors (page 8) Part Number: Wet inflation: TRS-SENSOR-DIA or Dry inflation: TRS-SENSOR-DRY		
Sensor Mounts (page 9) Part Number: Wet inflation: TRS-MAGMOUNT-RB or Dry inflation: TRS-SENSOR-DRY-CLAMP MOUNT		
Radio Frequency (RF) Antenna (page 12) Part Number: TRS-ANTENNA-RF		
Ethernet Cable Part Number: TRS-CABLE-ETHX		
Bluetooth Antenna (page 12) Part Number: TRS-ANTENNA-BT		
TyreSense GPS Antenna (page 12) Part Number: TRS-GPS		
USB Cable Part Number: TRS-CABLE-USB		
Installation Kits		
Power Connector Kits - Select one: 1) Standard Power Connector for new vehicle installations (default selection) Part Number: TRS-HUB-STD (page 10); or 2) Retrofit Power Connector for replacing an existing Gen3 installation with Gen4 HUB (optional) Part Number: TRS-HUB-RETRO (page 10)	TRS-HUB-STD 	TRS-HUB-RETRO 
Sold Separately: Part Number: TRS-ANTENNA-CELLULAR* (page 12); or Part Number: TRS-HUB-CELL - cellular antenna with service term (page 10)		

TYRESENSE MINING AND INDUSTRIAL KITS

TYRESENSE GENERATION 3 KITS (CELLULAR OR ETHERNET)

TyreSense Generation 3 (Gen3) Kits: Mining Kit shown below, includes re-certified Gen3 Kit, if available. Industrial Kit options are: a) select Cellular or Ethernet communications as a feature-lock; and/or, 2) GPS and RS232 port as a feature-lock.

KIT PART NUMBERS	Cellular		Ethernet	
	Wet Inflation	Dry Inflation	Wet Inflation	Dry Inflation
4 Position Kit:	TRS-KIT-4POS-CELL	TRS-KIT-4POS-CELL-DRY	TRS-KIT-4POS-ETH	TRS-KIT-4POS-ETH-DRY
6 Position Kit:	TRS-KIT-6POS-CELL	TRS-KIT-6POS-CELL-DRY	TRS-KIT-6POS-ETH	TRS-KIT-6POS-ETH-DRY
12 Position Kit:	TRS-KIT-12POS-CELL	TRS-KIT-12POS-CELL-DRY	TRS-KIT-12POS-ETH	TRS-KIT-12POS-ETH-DRY
Receiver Replacement Only:	TRS-GEN3-BB-CELL		TRS-GEN3-BB-ETH	

KITS INCLUDE:

TyreSense Gen3 Receiver Part Number: Cellular: TRS-GEN3-BB-CELL or Ethernet: TRS-GEN3-BB-ETH		
	Cellular	Ethernet
Communication Solutions Part Number: Cellular: TRS-ANTENNA-CELLULAR or Ethernet: TRS-CABLE-ETHX		
	Wet Inflation Sensors	Dry Inflation Sensors
TyreSense Pressure/Temperature Sensors (page 8) Part Number: Wet inflation: TRS-SENSOR-DIA or Dry inflation: TRS-SENSOR-DRY		
Sensor Mounts (page 9) Part Number: Wet inflation: TRS-MAGMOUNT-RB or Dry inflation: TRS-SENSOR-DRY-CLAMP MOUNT		
Power-cord with Metal Connector (page 13) Part Number: TRS-POWERCORD-M		
RF Receiving Antenna with Cable (page 12) Part Number: TRS-ANTENNA-RF		
Bluetooth Antenna (page 12) Part Number: TRS-ANTENNA-BT		
TyreSense GPS Antenna (page 12) Part Number: TRS-GPS		
USB Cable (page 13) Part Number: TRS-CABLE-USB		

Additional charges may apply for cellular service.

TYRESENSE IN-CAB DISPLAY KIT

TYRESENSE IN-CAB LCD DISPLAY KIT

Kit Part Number: TRS-DISPLAY-LCD-KIT

KIT INCLUDES:

TyreSense LCD Display Unit Part Number: TRS-DISPLAY-LCD	
TyreSense LCD Converter Box Part Number: TRS-CONVERTER-LCD	
LCD to Converter Box Cable Part Number: TRS-CABLE-LCD-CNVTR	
LCD Converter Box to BB Cable (page 11) Part Number: TRS-CABLE-LCD-BB	
Splitter Cable Part Number: TRS-CABLE-TSC	

Note: This kit applies to installations utilizing Gen3 Receivers. Gen4 HUB installations require only LCD Display Unit TRS-DISPLAY-LCD and cable TRS-CABLE-LCD-CNVTR (Page 11).

TYRESENSE SENSORS AND SENSOR ACCESSORIES

Two types of sensors are offered for use in either wet- or dry-fit inflation tire environments. Our patented wet-fit sensors use a flexible diaphragm to keep liquids and contaminants away from the electronics that measure and transmit tire pressure and temperature. External wet-fit sensors can be mounted for pressure management as an option. A low-profile dry-fit sensor is available for installation in tubeless drop center wheels where liquid additives are not used. All sensor types are compatible with TyreSense controller units, in-cab displays, handheld devices, radio repeaters, Sensor Buddy, and TyreSense software.

TYRESENSE INTERNAL PRESSURE AND TEMPERATURE SENSOR

Patented and hermetically sealed sensor for use in wet-/dry-filled tire environments.

Part Numbers: Wet: TRS-SENSOR-DIA

Wet external: TRS-SENSOR-DIA-EXT



TRS-SENSOR-DIA



TRS-SENSOR-DIA-EXT

TYRESENSE DRY FIT SENSOR

Dry fit sensor for use in tubeless drop center wheels 16 to 24.5 inches / 406 - 622mm in diameter where liquid additives are not used.

Part Number: TRS-SENSOR-DRY



TYRESENSE DRY FIT SENSOR CLAMP

½-inch / 13mm gear clamp for mounting TRS-SENSOR-DRY onto tubeless drop center wheels.

Part Number: TRS-SENSOR-DRY-CLAMP MOUNT



TYRESENSE RUBBER C-SHAPED MAGMOUNT

C-shaped rubber magnetic mount for use with TRS-SENSOR-DIA.

Part Number: TRS-MAGMOUNT-RB



Top

Bottom

TYRESENSE MAGMOUNT INSTALLATION TOOL

Magmount/sensor mounting / de-mounting tool for use with TRS-MAGMOUNT-RB.

Part Number: TRS-MAGMOUNT-TOOL



TYRESENSE SENSOR BUDDY

Allows users to view sensor status information and upload sensor IDs.

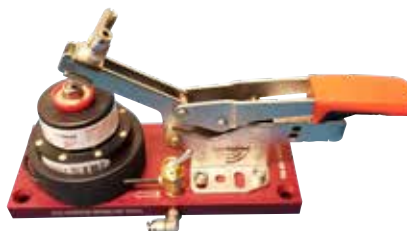
Part Number: TRS-SENSOR-BUD



TYRESENSE SENSOR WAKE-UP TOOL

Activate wheel sensors and allows users to confirm sensor data connectivity before installing them.

Part Number: TRS-IDX-WAKEUP



TYRESENSE INSTALLATION AND CELLULAR KITS

GEN3 Installation Kit
 Part Number: TRS-INSTALL-KIT



Part Number: TRS-HUB-STD
 GEN4 Standard Installation Kit
 Standard kit for new HUB installations



TRS-HUB-RETRO
 GEN4 HUB Retrofit Installation Kit
 Retrofit kit for replacing GEN3 Receiver with Gen4



TRS-HUB-CELL
 GEN4 HUB Cellular Kit
 Optional cellular antenna with SIM card



TYRESENSE COMPLEMENTARY PRODUCTS

TYRESENSE TRUCK REPEATER

Part Number: TRS-REPEATER

Boosts the transmission of wheel sensor data over extended distances ensuring all sensor data reaches the Receiver/HUB.



TYRESENSE UNINTERRUPTED POWER SUPPLY

Part Number: TRS-UPS

Provides an uninterrupted power to the Receiver/HUB if vehicle power is not present until vehicle power can be re-established.



TYRESENSE RUGGED HANDHELD

Part Number: TRS-HANDHELD

Rugged field PC with a powerful Bluetooth radio that connects to vehicles at distances up to 100 m (300 ft). Equipped with TyreSense Mobile software, the Handheld provides detailed vehicle information for any active sensor within range.



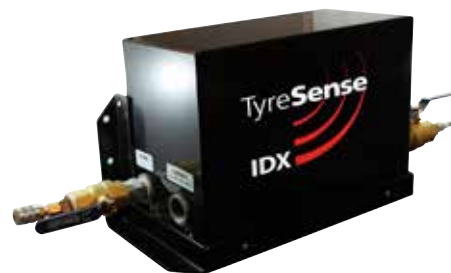
TYRESENSE IDX: INFLATION/DEFLATION SYSTEM

Part Number: TRS-IDX

An inflation and deflation system that safely and accurately inflates or deflates OTR tires equipped with TyreSense wheels sensors



IDX Controller



IDX Pneumatic Box

TYRESENSE IDX POWER SUPPLY

Part Number: TRS-IDX-POWER



TYRESENSE ANTENNAS AND CABLING

TYRESENSE RF RECEIVING ANTENNA WITH 25FT CABLE

Part Number: TRS-ANTENNA-RF



TYRESENSE BLUETOOTH ANTENNA

Part Number: TRS-ANTENNA-BT



TYRESENSE MAGNETIC BLUETOOTH EXTENSION CABLE

Part Number: TRS-ANTENNA-BT-EX



TYRESENSE CELLULAR ANTENNA WITH 17FT CABLE

Part Number: TRS-ANTENNA-CELLULAR



TYRESENSE GPS ANTENNA

comes with cable and mounting hardware.

Part Number: TRS-GPS



TYRESENSE POWER-CORD WITH METAL CONNECTORS

Part Number: TRS-POWERCORD-M



www.RIMEX.com