

The background is a teal color with a close-up, semi-transparent view of a mechanical wheel assembly, likely a conveyor roller or a similar industrial component. The wheel has a series of raised, rounded segments around its circumference. The lighting creates highlights and shadows, giving it a three-dimensional appearance.

# RIMEX

**WHEEL CATALOGUE**

For more information about RIMEX products and services:

**visit:** [RIMEX.com.au](https://RIMEX.com.au)

**email:** [info.australia@rimex.com](mailto:info.australia@rimex.com)

RIMEX Wheel Pty Ltd. assumes no responsibility for the accuracy of the information presented in this guide, which is subject to change without notice and should not be considered a commitment by RIMEX Wheel Pty Ltd.

Trademarks are the property of their respective owners.

Copyright RIMEX Wheel Pty Ltd 2023.

All rights reserved.

# THE RIMEX STORY

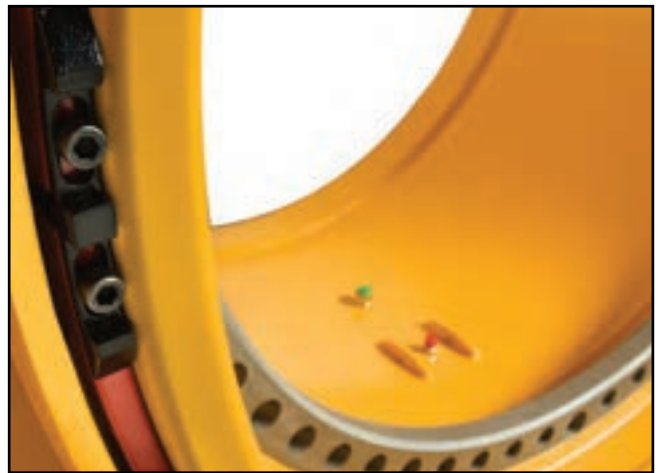
RIMEX is a world leader in the custom manufacture of off-road wheel and rim assemblies, with primary markets in mining, forestry, agriculture and industrial equipment.

In 2016, RIMEX celebrated 40 years of dedication and innovation. By focusing on the requirements and requests of its customers, RIMEX has become the globally preferred choice for industrial wheels and rims. To guarantee performance for tomorrow, RIMEX is collaborating with leading tyre manufacturers in testing and perfecting future wheel and rim designs for the next generation.

But RIMEX is much more than just a wheels-and-rims enterprise. In addition to a growing range of tyre accessories, tooling and equipment, a key area the company now dominates is tyre pressure and temperature monitoring, with TyreSense, the best-of-class technology that protects and preserves a safe, stable internal wheel environment. But the TyreSense system provides more than just monitoring; it optimises the extensive information and data it generates to provide clients with the potential for advanced asset management.

RIMEX has a heavy emphasis on compliance and quality and is committed to providing products and services that meet or exceed all customer requirements and relevant standards.

Today, RIMEX flourishes with a truly global footprint and a family of over 450 employees. Looking ahead, the road is wide open for more innovation and achievement as RIMEX roars into the future.



CAN'T FIND WHAT YOU'RE LOOKING FOR? CONTACT YOUR LOCAL RIMEX EXPERT.



## RIMEX QUALITY STATEMENT

At RIMEX, we are committed to providing the highest quality products and services in our industry, ranging from superior wheels, rims and accessories, to innovative technological and service solutions that meet or exceed our customers' requirements. Quality is at the heart of RIMEX's Corporate Business Principles, which are embraced by all our personnel in responding to industry challenges, solving customers' needs and delivering unparalleled products and services. RIMEX strives to achieve these objectives by the following means:

- **Quality Management System:** RIMEX employs a management system that is collaborative, transparent and timely. Knowledge and expertise are shared across the organization to produce the best possible outcomes, and to continually improve our company.
- **Customer Orientation:** At RIMEX, we put our customers at the beginning and end of our value streams, seeking their initial input, responding to their operational requirements, and delivering the best possible solutions for their needs and challenges. We ensure high levels of customer satisfaction in order to maintain productive relationships and promote enduring commitments.
- **Training and Education:** RIMEX ensures the highest levels of employee knowledge, ability and creativity through ongoing upgrading, training and education. Our workforce will lead the way, not follow, into the future.
- **Leadership:** From our founder's original vision, RIMEX continues to strive for an environment that encourages teamwork, engagement and accountability. We are driven to succeed by focusing on the needs and desires of our customers, and by anticipating the demands of the marketplace.
- **Culture:** RIMEX fosters a corporate culture and positive work environment based on respect, integrity and continuous improvement. We actively promote the safety, well-being and fulfillment of our personnel, which, in turn, fosters global customer satisfaction and reputational excellence.

# RIMEX WHEEL CATALOGUE

Wheel and Rim Safety . . . . .	5
RIMEX Single Piece Lock Ring Safety . . . . .	6
Inspection And Repair . . . . .	7
RIMEX Wheel Advantages . . . . .	8
Wheel Nomenclature . . . . .	9-10
Identification Markings . . . . .	12
Understanding RIMEX Part Numbers . . . . .	13
Wheel and Rim Assemblies . . . . .	14- 53
Lock Rings . . . . .	56-64
Bead Seat Bands . . . . .	65-69
Side Rings . . . . .	70-72
Notch Driver . . . . .	73
Outboard Driver Key . . . . .	74
Pocket Driver Base . . . . .	75

# WHEEL AND RIM SAFETY

If rims and tyres are improperly serviced or incorrectly handled, the results can be explosive! Strict procedures must be followed to avoid serious injury – even fatality – to service workers and nearby personnel. Anyone responsible for conducting or supervising this work must comply with the following warnings:

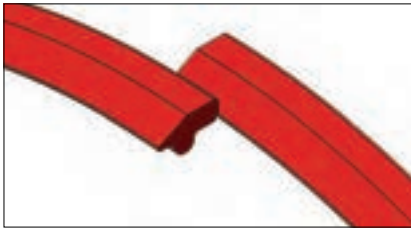
- Ensure the proper protective gear is worn when servicing tyres and rims. (gloves, safety shoes, safety glasses, ear protection, hard hat)
- Thoroughly clean and inspect all wheels, rims and their components before mounting tyres.
- Replace any damaged, bent, corroded, cracked or worn parts.
- Once the ends of a lock ring are no longer overlapped or touching, it should be removed from service and scrapped.
- Always deflate the tyre on the rim assembly before loosening any clamps or nuts. On a dual rim assembly, deflate both tyres.
- Remove the valve to ensure the tyre is properly deflated.
- DO NOT mismatch components.
- DO NOT heat, weld or repair any rim, wheel base or component.
- Prior to inflation, rim components can be 'tapped' into position with a soft metal or hard plastic mallet. Using any other tools, such as a steel mallet, can cause deformation or cracking of the components.
- A Tyre inflation Safety Cage should be used whenever possible.
- While inflating, stop at 35kPa/5psi and ensure the rim components are properly seated. If there's a problem, deflate completely and disassemble the components to determine the problem.
- DO NOT exceed the tyre pressure recommended by the tyre manufacturer.
- REMEMBER, the explosive energy in a tyre and wheel assembly will cause serious injury or death when proper handling procedures are not followed.



# RIMEX SINGLE PIECE LOCK RING SAFETY

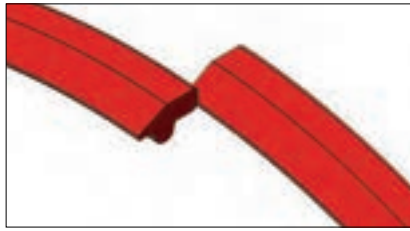
20" – 63" [EM, EMH, HDT, TSR, MS/T]

**CORRECT OVERLAP**



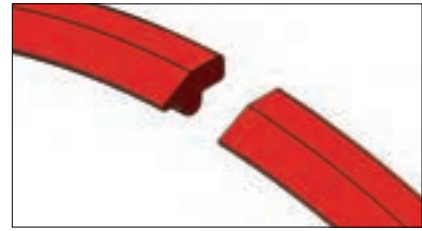
2" overlap

**STRETCHED**



minimal overlap or ends touching

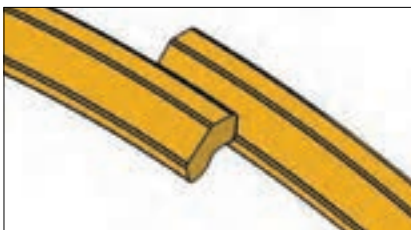
**SCRAP**



no overlap—ends NOT touching

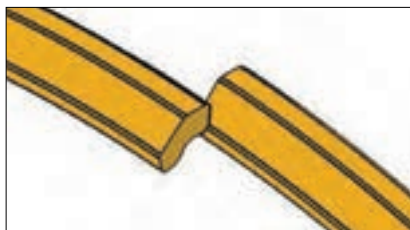
20" – 49" [EV/T]

**CORRECT OVERLAP**



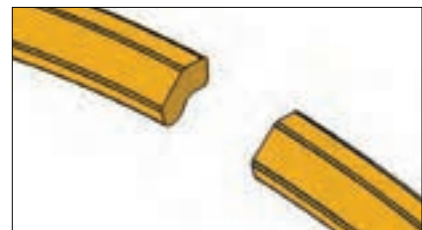
2" overlap

**STRETCHED**



minimal overlap or ends touching

**SCRAP**



no overlap—ends NOT touching

New lock rings are produced with a minimum 2" overlap from the factory (exact amount will vary slightly by size and type).

Over time, lock rings will lose their spring and the amount of overlap will reduce. This is a normal occurrence. Regular visual inspections of the lock rings need to be performed to ensure they haven't stretched beyond the recommended guidelines.

RIMEX recommends that once the ends of a lock ring are no longer overlapped or touching, it should be removed from service and scrapped.



This stretched lock ring should be removed from service and scrapped.

CAN'T FIND WHAT YOU'RE LOOKING FOR? CONTACT YOUR LOCAL RIMEX EXPERT.

# INSPECTION AND REPAIR

With over 45 years of experience engineering and manufacturing wheels, RIMEX understands the importance of maintenance and inspection to ensure maximum safety and productivity. We complete inspection and repair services for OTR wheels and rims from 24" to 63" diameter.

In the earthmoving industry, regular inspection and repairs are critical in preventing unexpected breakdowns or unscheduled interruptions. RIMEX leads the way in providing these services, offering the lowest average cost of repairs and competitive turnaround time. We guarantee that only required repairs will be completed and there will be no hidden expenses.

RIMEX has actively contributed to the Australian initiative, and meets or exceeds the AS4457.1 Standard, which stipulates rigorous and consistent controls for the inspection, maintenance and repair of wheel and rim assemblies on earthmoving machinery. It is the benchmark by which we measure our success.

## THE RIMEX INSPECTION AND REPAIR PROCESS

### STAGE 1: INSPECTION AND REPORTING

1. A visual inspection of the components to check for obvious mechanical damage, excessive wear and cracking.
2. Abrasive blasting to remove anything that would interfere with the inspection.
3. Magnetic Particle Inspection (MPI) of all the components and rim assemblies, completed by qualified RIMEX personnel.
4. A comprehensive and detailed report, including images of problem areas, is prepared for the customer.



### STAGE 2: REPAIR

1. Upon approval, the repairs are completed to the wheel/rim in accordance with the Standard.
2. Wheel and rim section replacements undergo an additional post-welding MPI test.
3. Repaired rims are painted and returned to the customer along with a Certificate of Conformance, if required.



RIMEX Supply Ltd.  
 8726 - 186<sup>th</sup> Street  
 Surrey, British Columbia  
 CANADA V4N 3V7  
 Phone: (604) 888-0025  
 Fax: (604) 888-0020

**RIMEX**  
 Building better wheels

**RIMEX INSPECTION REPORT**  
 Visual, Magnetic Particle & Circumferential Roundness Inspection  
 (Conforms to AS 4457.1-2006)

Contact	Rim / Wheel Size	Serial No.
Client PO No.	Tire Size	Hours
MRD No.	Manufacturer	Inspector
Model No.	Manufacture date	Date
	Machine	Signature

SECTION	AREA	VISL	MPI	G	CRITERIA
	Fuze	X			Area Should Have NONE of the Following Cracked Or Mech. Damage
	Lock Ring Groove	X	X	X	CRACKED, 1.5mm WEAR, MECH. DAMAGE
	O Ring Groove	X	X	X	CRACKED, 1.5mm WEAR, MECH. DAMAGE
	Mounting Taper	X	X		Taper Damage, Cracked
	Gutter	X	X		Cracked, Corrosion
	Circumferential Weld	X	X		Cracked, Bowed Or Resealed
	Valve Protector	X	X		

Surface: X      Checked, Progressive Corrosion



# RIMEX WHEEL ADVANTAGES

The introduction of the radial tyre had a significant impact on wheel/rim performance. The construction of the radial tyre, with its flexing sidewall causes more movement between the tyre and rim in the bead areas.

This deflection and movement in the bead area leads to flange 'walking' and 'rocking' on the rim base. Along with added stresses of higher operating pressures, these are the major reasons that the back section and flange of a rim will fail. A radial tyre transfers over 75% more stress and energy to the rim base than a bias ply tyre.

RIMEX has always maintained a philosophy of staying 'close to the customer', allowing us to work with our customers and develop solutions to the significant but, often overlooked, problems of early rim failure.

Excellent tyre life can be achieved through proper selection of a tyre for a particular application and by maintaining the correct air pressure. Tyre traction, tread life, cut resistance and rock impact resistance are all directly related to constant tyre pressure.

A tyre itself will not lose air. Air loss occurs as a result of poor manufacturing tolerances of rim and components or, through the o-ring seal, tyre bead seating areas or by any external damage done to the tyre.

The movement and flexing between side rings and the rim base leads to excessive movement and damage in the tyre's sidewall and sole. This causes air loss which contributes to premature tyre failure.

With the increased traction of a radial tyre, movement between the bead seat band, o-ring and lock ring is very common. This movement is a major cause of air loss and premature tyre failure on standard rims.

Standard rims are constructed with knurls or serrations on the bead seating areas. To be mounted correctly, a tyre's bead requires a flat surface and 100% contact between the bead and that surface.

All RIMEX wheel and rims have fully machined, or knurless, bead seat areas, offering the very best support for the tyre bead. Only a fully machined surface can offer this complete seal.



## PRODUCT OVERVIEW

### **MACHINED EXTREME SERVICE (MES)**

All MES rim components are manufactured to be fully compatible with standard product. We offer fully machined bead seating area and hot formed side rings for superior strength and tyre support. Our machining process allows us to add material mass in the critical areas where rim cracking is common.

### **TAPER SECURE SERVICE (TSR)**

The design of the TSR uses a taper concept to secure all components in place. Absolute stability of components and the tyre is achieved as movement between parts eliminated. When inflated, the rim parts lock into their tapered land areas.

### **DOUBLE GUTTER SERVICE (DGS)**

The revolutionary design of the DGS Series, allows for tyre changes to occur without removing the outer wheel or rim base, reducing downtime and increasing productivity. Engineered with safety and time savings in mind, this position sensitive outer dual can be easily mounted/demounted.

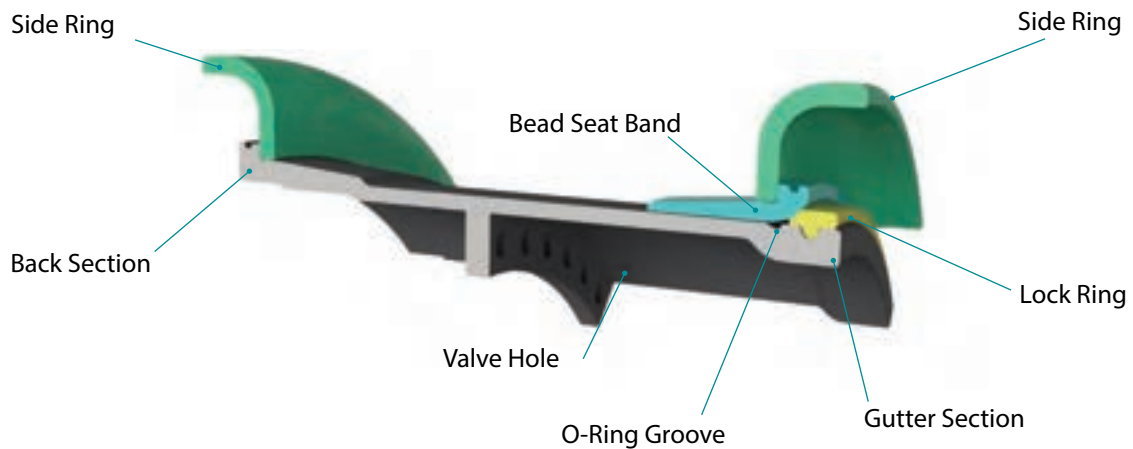
### **INTEGRAL GUTTER LOCK RING (IGLR)**

RIMEX designed the IGLR concept to complement the DGS Series. The functional design of the IGLR rim has the profile of an inner lock ring machined into the rim base. Similar to the position sensitive concept of the DGS but designed for the inner dual wheel and front wheel positions, IGLR combined with DGS provides exceptionally quick and safe tyre changes from all positions.

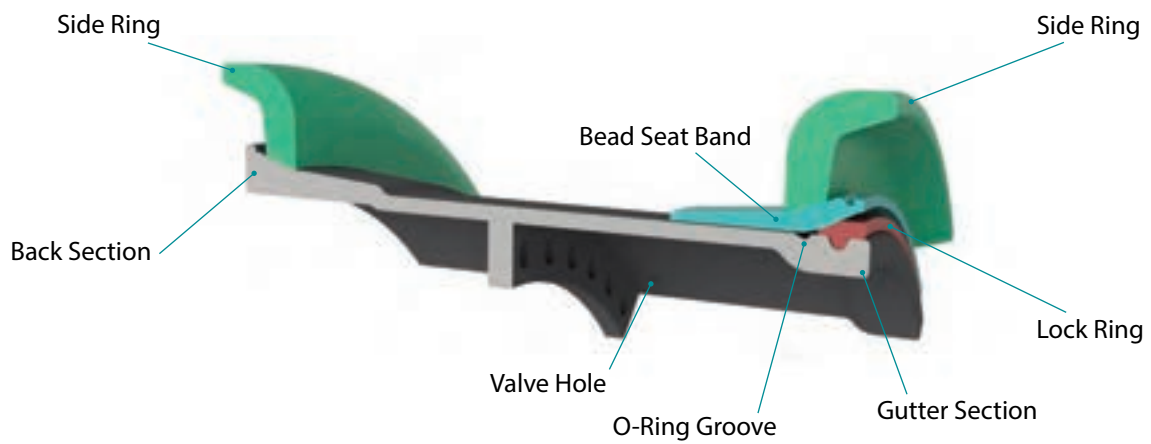
CAN'T FIND WHAT YOU'RE LOOKING FOR? CONTACT YOUR LOCAL RIMEX EXPERT.

# WHEEL NOMENCLATURE

## MACHINED EXTREME SERVICE (MES) RIM

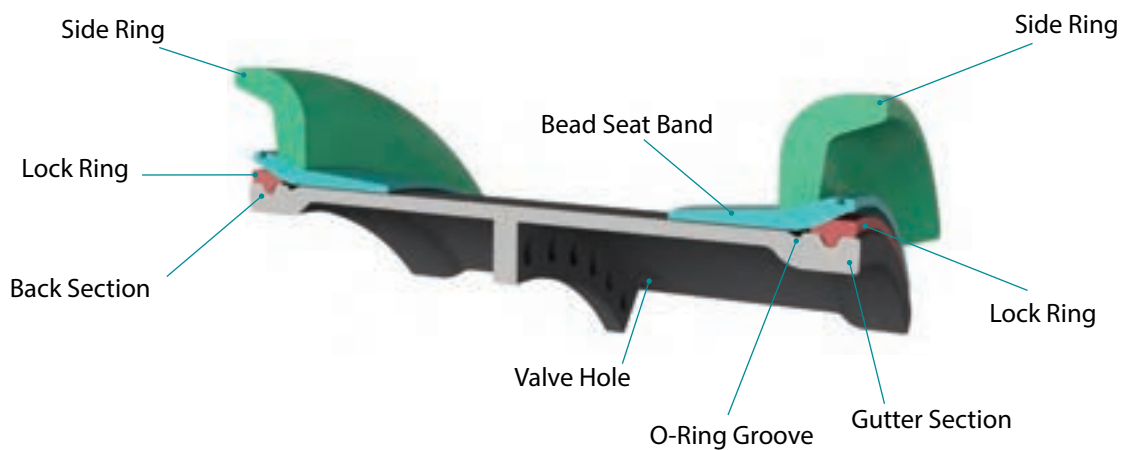


## TAPER SECURE RADIAL (TSR) RIM



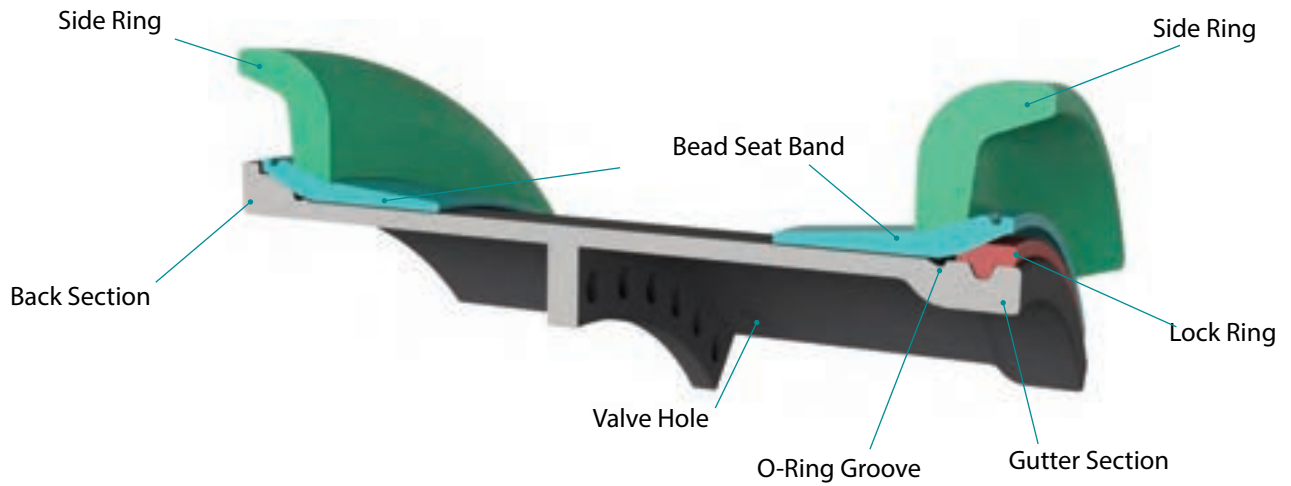
## DOUBLE GUTTER SERVICE (DGS) RIM

Compatible with MES, TSR or MST style components



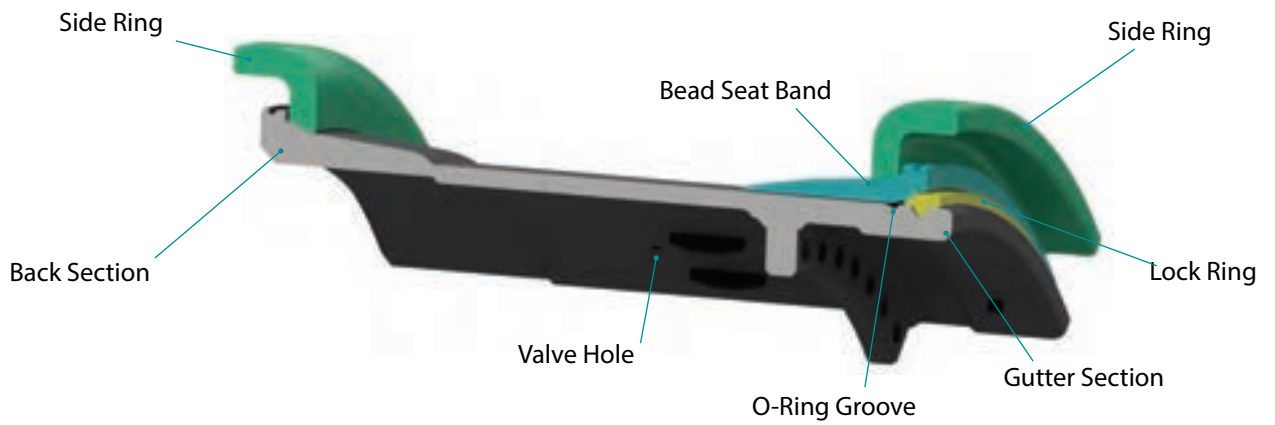
## INTEGRAL GUTTER LOCK RING (IGLR) RIM

Compatible with MES, TSR or MST style components



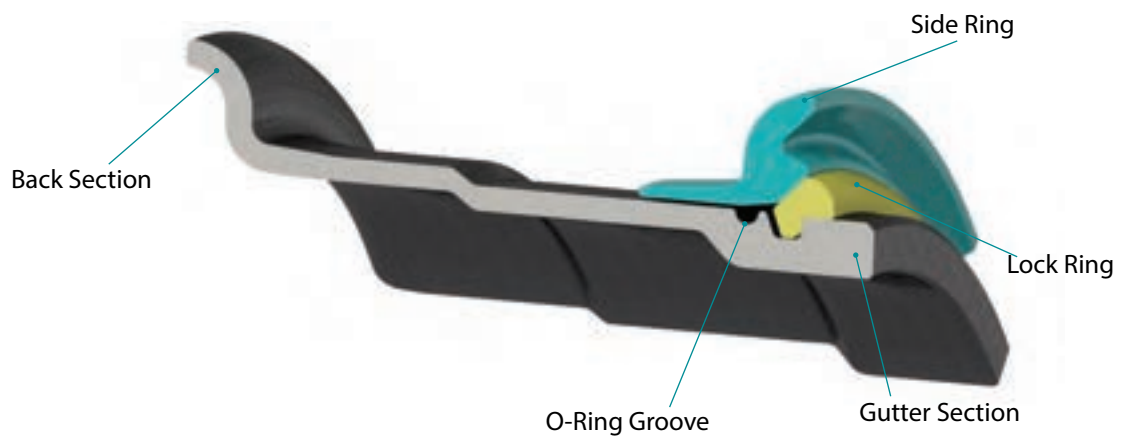
## MACHINED SERVICE TAPER (MST) RIM (63")

Available in either standard 5-piece, DGS or IGLR assemblies.



## MACHINED SERVICE (MS) / EM RIM (20 - 24")

Designed specifically for Industrial applications



# WHEEL ASSEMBLIES

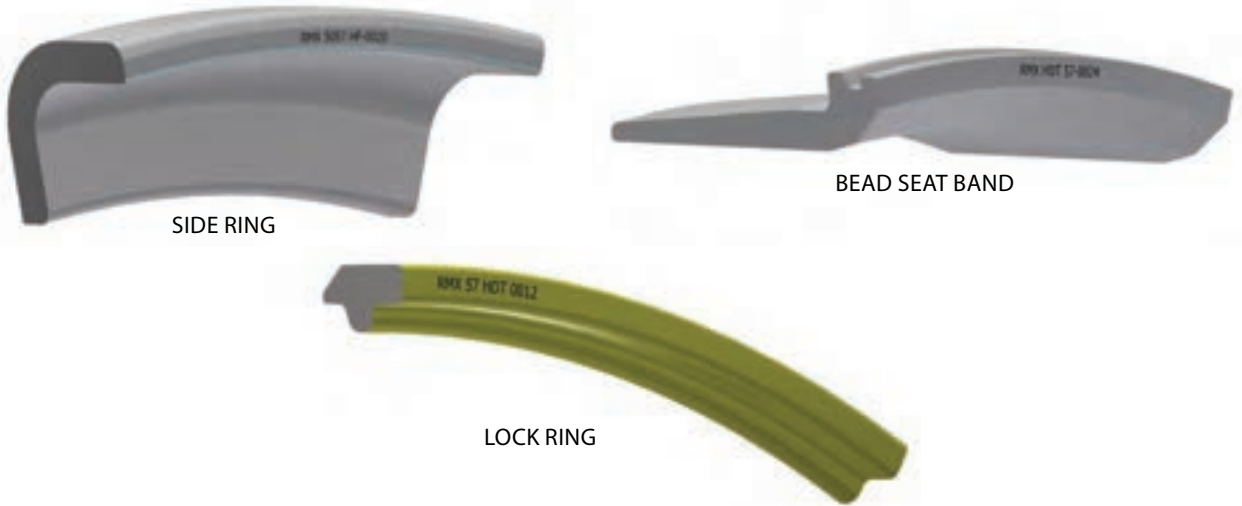
Identification Markings . . . . .	.12
Understanding RIMEX Part Numbers . . . . .	.13
MES/I Assemblies . . . . .	.15
MS/EM Assemblies . . . . .	.17
MES/T Assemblies . . . . .	.17
MES/EM Assemblies. . . . .	19-20
MES/EV Assemblies . . . . .	.21
MES/MEV Assemblies. . . . .	.21
MES/EMH Assemblies. . . . .	.23
EMH DGS/MES Assemblies . . . . .	.25
EMH/MEMH (MES) Assembly. . . . .	.25
MES/MEMH Assemblies . . . . .	.27
MEMH/MEMH (TSR) Assembly . . . . .	.27
IGLR/EMH (MES) Assembly . . . . .	.29
MES/HDT Assemblies. . . . .	.31
MES/HDT IGLR Assemblies . . . . .	.33
MES/TSR Hybrid Assembly . . . . .	.35
TSR/EM Assembly . . . . .	.37
TSR/EMH Assemblies . . . . .	.37
IGLR/EMH (TSR) Assemblies . . . . .	.39
TSR/HDT Assemblies . . . . .	.41
TSR/HDT DGS Assemblies . . . . .	.43
TSR/HDT IGLR Assemblies . . . . .	.45
TSR/MEMH Assembly. . . . .	.47
EMH DGS/TSR Assembly. . . . .	.47
IGLR/EM (TSR) Assemblies. . . . .	.49
MST/HDT Assemblies. . . . .	.49
MST/HDT DGS Assemblies. . . . .	.51
MST/HDT IGLR Assemblies. . . . .	.51
IGLR/EMH (MST) Assembly . . . . .	.53

# IDENTIFICATION MARKINGS

Components manufactured by RIMEX have markings or tags to clearly identify and track the product. When servicing tyres, technicians should check the markings on the rim components to confirm they are RIMEX products only. Combining different manufacturers components may cause an explosive separation of the rim which could result in serious injury or death.

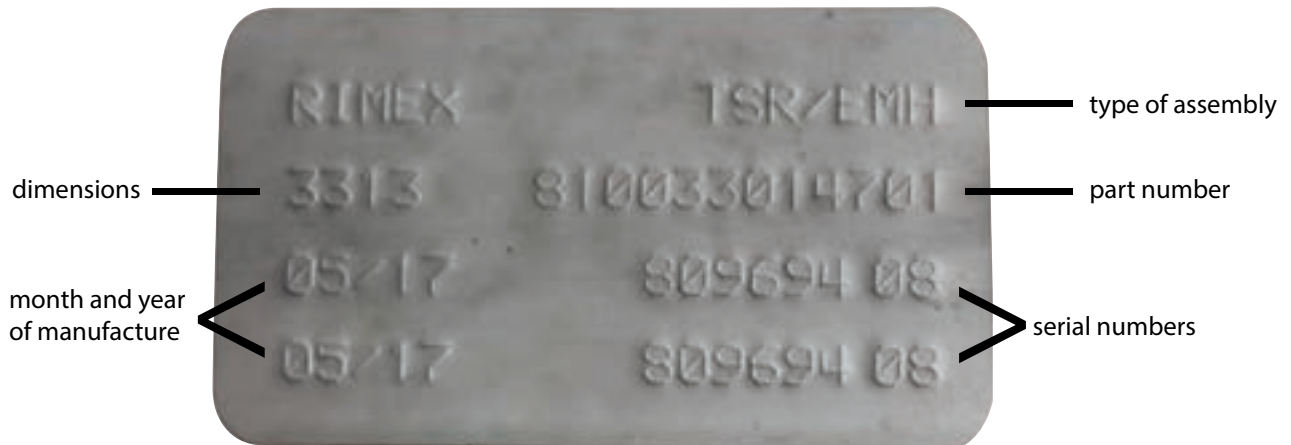
## MARKING LOCATIONS

Tags or markings can be found on RIMEX components in the areas shown below.



## RIMEX WHEEL ID TAGS

RIMEX uses an ID Tag (pictured below) to identify all our earth moving wheel/rim bases. The embossed tag is affixed to the inside of the wheel or rim base and has a wide variety of information that helps us guarantee the integrity and traceability of our products. Typically other manufacturers stamp their identification on the gutter section or back section.



IDENTIFICATION MARKINGS

# UNDERSTANDING RIMEX PART NUMBERS

Part Number	Product ID	Product Diameter	Individual ID
100-057-0025	100	057	0025

## RIMEX PRODUCT ID'S

- 100 Side Ring
- 200 Bead Seat Band
- 300 Lock Ring
- 400 Back Section
- 500 Gutter Section
- 610 Disc
- 620 Brake Disc
- 630 Adapter Ring
- 680 Semi Finished Disc
- 710 Driver Keys
- 720 Valve Protector
- 730 Studs/ Nuts
- 740 Clamps
- 741 Retaining Clamp
- 750 Spacer Band
- 760 Wedge Band
- 770 Valve Equipment
- 785 Bead Breaker Equipment
- 810 Rim Base
- 815 Rim Assembly
- 820 Wheel Base
- 825 Wheel Assembly
- 830 Hubs

The above-noted RIMEX Product ID's are unique to specific product groups.

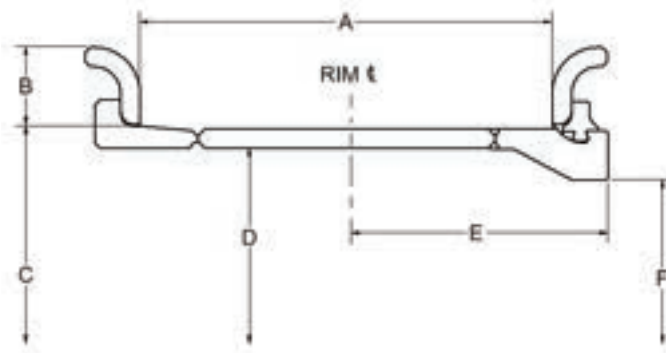
The stamped markings on RIMEX Side Rings, Bead Seat Bands and Lock Rings (*pictured left*) are designed to aid in the identification of products in the field.

The following information represents a small sample of the standard products RIMEX produces.

RIMEX custom manufactures wheels and rims to fit any industrial application based on customer specifications, and through our distribution network, we can supply any wheel or rim you require.

All 51 to 63" RIMEX wheels and rims are pre-drilled to accommodate our 3/4" DeFuzer Valve.

## MES/I ASSEMBLIES



MES/I ASSEMBLIES

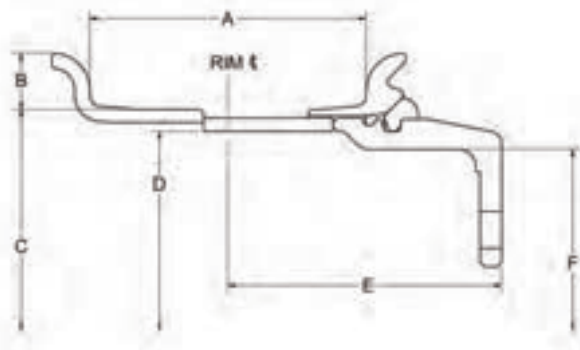
RIM SIZE C x A / B	TYPICAL TYRE SIZE	DIMENSIONS						
		A	B	C	D	E	F	
20 x 10 / 2.0	14.00R20	254.0 mm	50.8 mm	508.0 mm	488.2 mm	155.7 mm	463.5 mm	
		10.0 in	2.0 in	20.0 in	19.2 in	6.1 in	18.2 in	
20 x 11 / 1.7	335 /80R20	279.4 mm	43.2 mm	508.0 mm	488.2 mm	169.9 mm	463.5 mm	
		11.0 in	1.7 in	20.0 in	19.2 in	6.7 in	18.2 in	
20 x 13 / 1.7	405 /70R20	330.2 mm	43.2 mm	508.0 mm	484.1 mm	196.1 mm	463.5 mm	
		13.0 in	1.7 in	20.0 in	19.1 in	7.6 in	18.2 in	
20 x 8.0 / 1.7	11.00R20	203.2 mm	43.2 mm	508.0 mm	488.2 mm	130.2 mm	463.5 mm	
		8.0 in	1.7 in	20.0 in	19.2 in	5.1 in	18.2 in	
20 x 8.5 / 1.7	12.00R20	215.9 mm	43.2 mm	508.0 mm	488.2 mm	133.3 mm	463.5 mm	
		8.5 in	1.7 in	20.0 in	19.2 in	5.2 in	18.2 in	
24 x 10 / 2.0	14.00R24	254.0 mm	50.8 mm	609.6 mm	585.7 mm	158.7 mm	557.3 mm	
		10.0 in	2.0 in	24.0 in	23.1 in	6.2 in	21.9 in	
24 x 8.5 / 1.7	12.00R24	215.9 mm	43.2 mm	609.6 mm	593.8 mm	137.3 mm	571.5 mm	
		8.5 in	1.7 in	24.0 in	23.4 in	5.4 in	22.5 in	



	PART NUMBERS				TOTAL WEIGHT	NOTES
	SIDE RING	BEAD SEAT BAND	LOCK RING	ASSEMBLY NUMBER		
100-020-0004	N/A	300-020-0011	825-020-0140-01-A	81 kg 179 lb	<ul style="list-style-type: none"> <li>4 piece, tube type rim designs, commonly used in high pressure applications</li> <li>RIMEX I lock ring CAN NOT be mismounted</li> </ul>	
100-020-0003	N/A	300-020-0011	825-020-0347-01-A	82 kg 182 lb		
100-020-0011	N/A	300-020-0011	825-020-0341-01-A	102 kg 224 lb		
100-020-0003	N/A	300-020-0011	825-020-0315-01-A	70 kg 154 lb		
100-020-0003	N/A	300-020-0011	825-020-0344-01-A	69 kg 151 lb		
100-024-0001	N/A	300-024-0010	815-024-0130-01-A	95 kg 208 lb		
100-024-0002	N/A	300-024-0010	815-024-0120-01-A	61 kg 134 lb		

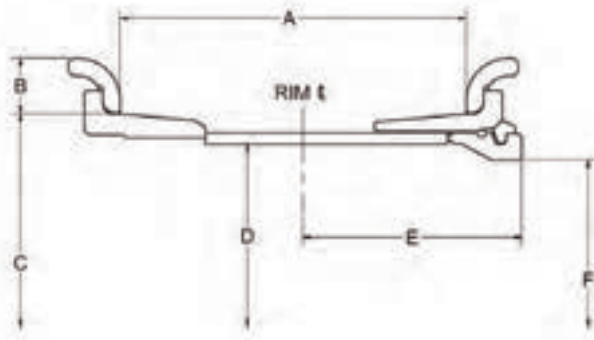


# MS/EM ASSEMBLIES



RIM SIZE C x A / B	TYPICAL TYRE SIZE	DIMENSIONS						
		A	B	C	D	E	F	
20 x 8 / 1.5	11.00R20	203.2 mm	39.1 mm	516.0 mm	487.8 mm	200.9 mm	452.4 mm	
		8.0 in	1.5 in	20.0 in	18.8 in	7.9 in	17.8 in	
22.5 x 9 / 0.5	12.00R22.5	230.1 mm	12.7 mm	571.5 mm	515.9 mm	152.4 mm	489.0 mm	
		9.0 in	0.5 in	22.5 in	20.3 in	6.0 in	19.2 in	
24 x 10 / 2.0	14.00R24	254.0 mm	49.8 mm	609.6 mm	577.8 mm	166.9 mm	546.1 mm	
		10.0 in	2.0 in	24.2 in	22.7 in	6.6 in	21.5 in	

# MES/T ASSEMBLIES



RIM SIZE C x A / B	TYPICAL TYRE SIZE	DIMENSIONS						
		A	B	C	D	E	F	
20 x 13 / 1.7	405 / 70R20	330.2 mm	43.2 mm	512.8 mm	467.6 mm	193.0 mm	449.6 mm	
		13.0 in	1.7 in	20.2 in	18.4 in	7.6 in	17.7 in	
21 x 18 / 1.5	24R21 XZL	457.2 mm	38.1 mm	508.0 mm	492.2 mm	258.8 mm	469.9 mm	
		18.0 in	1.5 in	20.0 in	19.4 in	10.2 in	18.5 in	
24 x 10 / 2.0	14.00R24	254.0 mm	50.8 mm	613.7 mm	565.1 mm	161.5 mm	550.9 mm	
		10.0 in	2.0 in	24.2 in	22.2 in	6.4 in	21.7 in	
25 x 10 / 1.5	14.00R25	254.0 mm	38.1 mm	635.0 mm	593.8 mm	158.7 mm	572.0 mm	
		10.0 in	1.5 in	25.0 in	23.4 in	6.2 in	22.5 in	

MS/EM & MES/T ASSEMBLIES

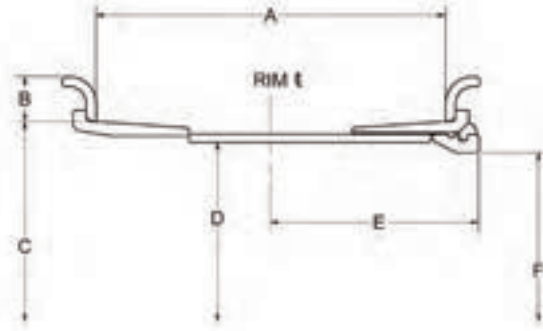


	PART NUMBERS				TOTAL WEIGHT	NOTES
	SIDE RING	FLANGE	LOCK RING	ASSEMBLY NUMBER		
	N/A	210-020-0003	300-020-0007	825-020-0305-01-A	86 kg 189 lb	<ul style="list-style-type: none"> <li>Suitable for a wide variety of applications</li> </ul>
	N/A	210-022-0002	300-022-0002	825-022-0123-01-A	105 kg 230 lb	
	N/A	210-024-0002	300-024-0011	815-024-0154-01-A	129 kg 284 lb	



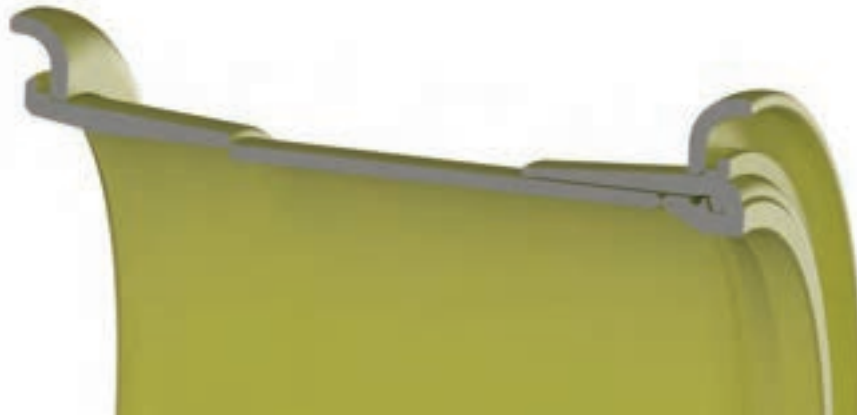
	PART NUMBERS				TOTAL WEIGHT	NOTES
	SIDE RING	BEAD SEAT BAND	LOCK RING	ASSEMBLY NUMBER		
	100-020-0010	200-020-0002	300-020-0003	825-020-0342-01-A	93 kg 204 lb	<ul style="list-style-type: none"> <li>Suitable for light duty graders, loaders and haulage</li> </ul>
	100-021-0002	200-021-0001	300-021-0001	825-021-0005-01-A	112 kg 246 lb	
	100-024-0001	200-024-0001	300-024-0003	825-024-0305-01-A	125 kg 275 lb	
	100-025-0031	200-025-0029	300-025-0003	815-025-0249-01-A	88 kg 193 lb	

# MES/EM ASSEMBLIES



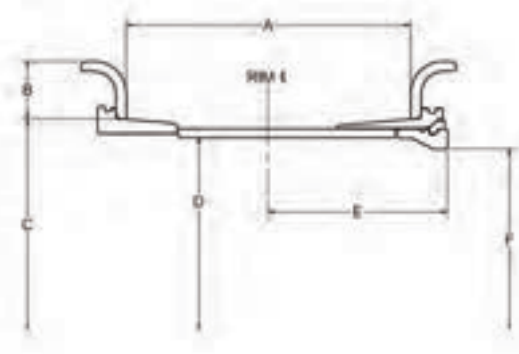
MES/EM ASSEMBLIES

RIM SIZE C x A / B	TYPICAL TYRE SIZE	DIMENSIONS					
		A	B	C	D	E	F
25 x 10 / 1.5	14.00R25	254.0 mm	38.1 mm	635.0 mm	576.3 mm	166.8 mm	546.1 mm
		10.0 in	1.5 in	25.0 in	22.7 in	6.6 in	21.5 in
25 x 11 / 2.0	16.00R25	279.0 mm	50.8 mm	635.0 mm	576.3 mm	182.6 mm	546.1 mm
		11.0 in	2.0 in	25.0 in	22.7 in	7.2 in	21.5 in
25 x 13 / 2.5	18.00R25	330.2 mm	63.5 mm	635.0 mm	576.3 mm	204.8 mm	546.1 mm
		13.0 in	2.5 in	25.0 in	22.7 in	8.1 in	21.5 in
25 x 14 / 1.5	17.5R25	355.6 mm	38.1 mm	635.0 mm	576.3 mm	214.4 mm	546.1 mm
		14.0 in	1.5 in	25.0 in	22.7 in	8.4 in	21.5 in
25 x 15 / 3.0	21.00R25	381.0 mm	76.2 mm	635.0 mm	576.3 mm	232.7 mm	546.1 mm
		15.0 in	3.0 in	25.0 in	22.7 in	9.2 in	21.5 in
25 x 17 / 2.0	20.5R25	431.8 mm	50.8 mm	635.0 mm	576.3 mm	252.5 mm	546.1 mm
		17.0 in	2.0 in	25.0 in	22.7 in	9.9 in	21.5 in
25 x 19 / 2.5	23.5R25	482.6 mm	63.5 mm	635.0 mm	576.3 mm	287.5 mm	546.1 mm
		19.0 in	2.5 in	25.0 in	22.7 in	11.3 in	21.5 in
25 x 22 / 3.0	26.5R25	558.8 mm	76.2 mm	635.0 mm	576.3 mm	319.3 mm	546.1 mm
		22.0 in	3.0 in	25.0 in	22.7 in	12.6 in	21.5 in
25 x 25 / 3.5	29.5R25	635.0 mm	88.9 mm	635.0 mm	576.3 mm	358.9 mm	546.1 mm
		25.0 in	3.5 in	25.0 in	22.7 in	14.1 in	21.5 in
25 x 30 / 1.5	67x34-25	762.0 mm	38.1 mm	635.0 mm	576.3 mm	419.1 mm	546.1 mm
		30.0 in	1.5 in	25.0 in	22.7 in	16.5 in	21.5 in
29 x 25 / 3.5	29.5R29	635.0 mm	88.9 mm	736.6 mm	673.9 mm	368.3 mm	631.9 mm
		25.0 in	3.5 in	29.0 in	26.5 in	14.5 in	24.9 in
29 x 27 / 3.5	33.25R29	685.8 mm	88.9 mm	736.6 mm	673.9 mm	392.2 mm	635.0 mm
		27.0 in	3.5 in	29.0 in	26.5 in	15.4 in	25.0 in
33 x 13 / 2.5	18.00R33	330.2 mm	63.5 mm	838.2 mm	779.5 mm	212.1 mm	750.1 mm
		13.0 in	2.5 in	33.0 in	30.7 in	8.3 in	29.5 in
33 x 28 / 3.5	35 /65 R33	711.2 mm	88.9 mm	838.2 mm	763.3 mm	412.8 mm	731.8 mm
		28.0 in	3.5 in	33.0 in	30.0 in	16.2 in	28.8 in
35 x 27 / 3.5	33.25R35	685.8 mm	88.9 mm	889.0 mm	826.3 mm	399.3 mm	782.6 mm
		27.0 in	3.5 in	35.0 in	32.5 in	15.7 in	30.8 in
39 x 32 / 4.5	37.5R39	812.8 mm	114.3 mm	990.6 mm	915.7 mm	467.1 mm	884.2 mm
		32.0 in	4.5 in	39.0 in	36.05 in	18.4 in	34.8 in
45 x 36 / 4.5	45 /65R45	914.4 mm	114.3 mm	1 143.0 mm	1 068.1 mm	516.1 mm	1 016.0 mm
		36.0 in	4.5 in	45.0 in	42.0 in	20.3 in	40.0 in



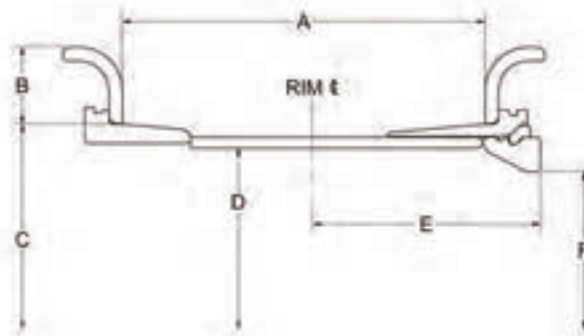
	PART NUMBERS				TOTAL WEIGHT	NOTES
	SIDE RING	BEAD SEAT BAND	LOCK RING	ASSEMBLY NUMBER		
100-025-0031	200-025-0015	300-025-0004	815-025-0151-01-A	130 kg 287 lb	• Suitable for a wide variety of applications	
100-025-0020	200-025-0015	300-025-0004	815-025-0144-01-A	142 kg 312 lb		
100-025-0018	200-025-0015	300-025-0004	815-025-0145-01-A	165 kg 363 lb		
100-025-0031	200-025-0015	300-025-0004	815-025-0153-01-A	147 kg 323 lb		
100-025-0015	200-025-0025	300-025-0004	825-025-0861-01-A	227 kg 500 lb		
100-025-0020	200-025-0015	300-025-0004	825-025-0825-01-A	199 kg 438 lb		
100-025-0018	200-025-0015	300-025-0004	825-025-0186-01-A	218 kg 480 lb		
100-025-0015	200-025-0015-01	300-025-0004	825-025-0314-01-A	237 kg 522 lb		
100-025-0017	200-025-0015-01	300-025-0004	825-025-0875-01-A	262 kg 577 lb		
100-025-0031	200-025-0015-01	300-025-0004	825-025-0879-01-A	235 kg 518 lb		
100-029-0001	200-029-0010-01	300-029-0001	825-029-0164-01-A	385 kg 846 lb		
100-029-0001	200-029-0010-01	300-029-0001	825-029-0181-01-A	396 kg 872 lb		
100-033-0004	200-033-0014	300-033-0001	815-033-0124-01-A	235 kg 517 lb		
100-033-0003	200-033-0022	300-033-0001	815-033-0129-01-A	529 kg 1,163 lb		
100-035-0002	200-035-0021-01	300-035-0001	825-035-0129-01-A	490 kg 1,078 lb		
100-039-0001	200-039-0015-05	300-039-0013	825-039-0158-01-A	726 kg 1,598 lb		
100-045-0013	200-045-0020-01	300-045-0014	825-045-0112-01-A	993 kg 2,184 lb		

## MES/EV ASSEMBLIES



RIM SIZE C x A / B	TYPICAL TYRE SIZE	DIMENSIONS					
		A	B	C	D	E	F
33 x 13 / 2.5	18.00R33	330.2 mm	63.5 mm	838.2 mm	775.5 mm	214.4 mm	733.5 mm
		13.0 in	2.5 in	33.0 in	30.5 in	8.4 in	28.9 in
35 x 15 / 3.0	21.00R35	381.0 mm	76.2 mm	889.0 mm	830.3 mm	238.2 mm	784.3 mm
		15.0 in	3.0 in	35.0 in	32.7 in	9.4 in	30.9 in
35 x 17 / 3.5	24.00R35	431.8 mm	88.9 mm	889.0 mm	830.3 mm	263.6 mm	784.3 mm
		17.0 in	3.5 in	35.0 in	32.7 in	10.4 in	30.9 in
49 x 19.5 / 4.0	27.00R49	495.3 mm	101.6 mm	1 244.6 mm	1 181.9 mm	309.6 mm	1 139.9 mm
		19.5 in	4.0 in	49.0 in	46.5 in	12.2 in	44.9 in

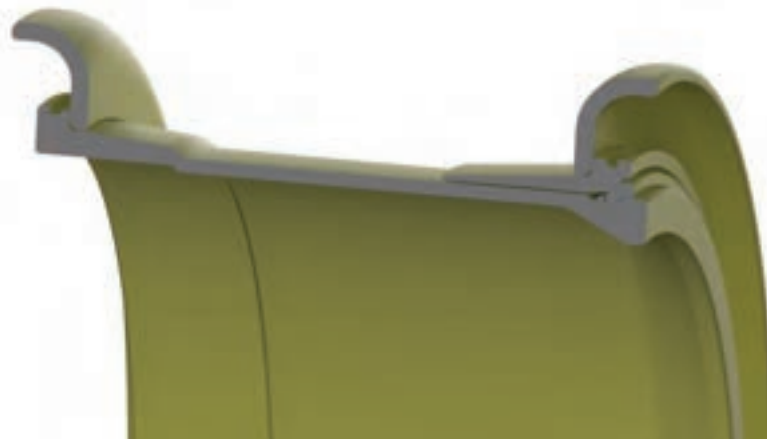
## MES/MEV ASSEMBLIES



RIM SIZE C x A / B	TYPICAL TYRE SIZE	DIMENSIONS					
		A	B	C	D	E	F
49 x 17 / 3.5	24.00R49	431.8 mm	88.9 mm	1 244.6 mm	1 184.4 mm	277.9 mm	1 119.1 mm
		17.0 in	3.5 in	49.0 in	46.6 in	10.9 in	44.1 in
49 x 19.5 / 4.0	27.00R49	495.3 mm	101.6 mm	1 244.6 mm	1 181.9 mm	300.2 mm	1 119.1 mm
		19.50 in	4.0 in	49.0 in	46.5 in	11.8 in	44.1 in

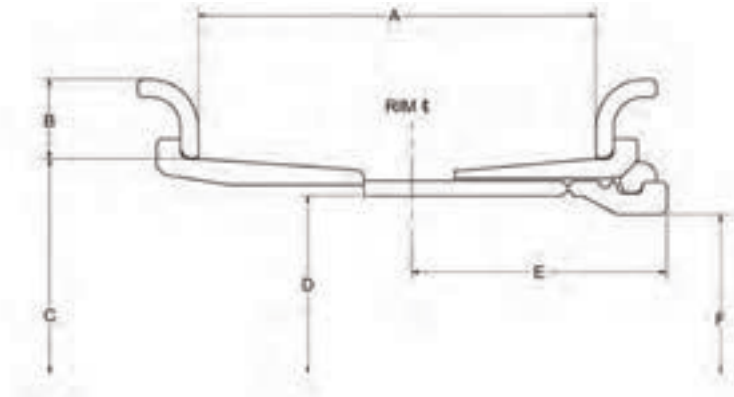


	PART NUMBERS				TOTAL WEIGHT	NOTES
	SIDE RING	BEAD SEAT BAND	LOCK RING	ASSEMBLY NUMBER		
100-033-0004	200-033-0014	300-033-0013	815-033-0112-01-A	273 kg 600 lb	<ul style="list-style-type: none"> <li>• 33, 35 and 49" haulage wheels/rims</li> <li>• For higher PSI or heavier load applications, RIMEX strongly recommends using an EMH lock ring</li> </ul>	
100-035-0005	200-035-0014	300-035-0013	815-035-0113-03-A	286 kg 630 lb		
100-035-0002	200-035-0014	300-035-0013	815-035-0112-01-A	324 kg 712 lb		
100-049-0015	200-049-0031	300-049-0014	825-049-0140-01-A	660 kg 1,453 lb		



	PART NUMBERS				TOTAL WEIGHT	NOTES
	SIDE RING	BEAD SEAT BAND	LOCK RING	ASSEMBLY NUMBER		
100-049-0019	200-049-0023	300-049-0014	815-049-0124-01-A	564 kg 1,241 lb	<ul style="list-style-type: none"> <li>• Used on haulage wheels/rims</li> <li>• For higher PSI or heavier load applications, RIMEX strongly recommends using an EMH lock ring</li> </ul>	
100-049-0015	200-049-0023	300-049-0014	815-049-0157-01-A	606 kg 1,332 lb		

# MES/EMH ASSEMBLIES



MES/EMH ASSEMBLIES

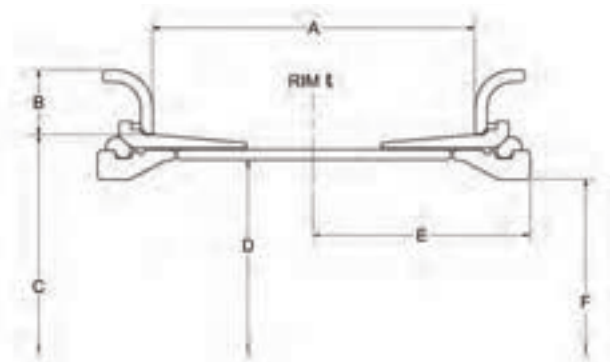
RIM SIZE C x A / B	TYPICAL TYRE SIZE	DIMENSIONS						
		A	B	C	D	E	F	
25 x 11 / 2.0	16.00R25	279.4 mm	50.8 mm	635.0 mm	576.3 mm	184.9 mm	546.1 mm	
		11.0 in	2.0 in	25.0 in	22.7 in	7.3 in	21.5 in	
25 x 13 / 2.5	18.00R25	330.2 mm	63.5 mm	635.0 mm	576.3 mm	210.3 mm	546.1 mm	
		13.0 in	2.5 in	25.0 in	22.7 in	8.3 in	21.5 in	
25 x 14 / 1.5	17.5R25	355.6 mm	38.1 mm	635.0 mm	576.3 mm	220.7 mm	546.1 mm	
		14.0 in	1.5 in	25.0 in	22.7 in	8.7 in	21.5 in	
25 x 15 / 3.0	21.00R25	381.0 mm	76.2 mm	635.0 mm	576.3 mm	236.7 mm	546.1 mm	
		15.0 in	3.0 in	25.0 in	22.7 in	9.3 in	21.5 in	
25 x 17 / 2.0	20.5R25	431.8 mm	50.8 mm	635.0 mm	576.3 mm	258.8 mm	546.1 mm	
		17.0 in	2.0 in	25.0 in	22.7 in	10.2 in	21.5	
25 x 19.5 / 2.5	23.5R25	495.3 mm	63.5 mm	635.0 mm	572.3 mm	292.6 mm	546.1 mm	
		19.5 in	2.5 in	25.0 in	22.5 in	11.5 in	21.5 in	
25 x 22 / 3.0	26.5R25	558.8 mm	76.2 mm	635.0 mm	568.2 mm	323.8 mm	546.1 mm	
		22.0 in	3.0 in	25.0 in	22.4 in	12.7 in	21.5 in	
29 x 25 / 3.5	29.5R29	635.0 mm	88.9 mm	736.6 mm	673.9 mm	371.6 mm	631.9 mm	
		25.0 in	3.5 in	29.0 in	26.5 in	14.6 in	24.9 in	
29 x 27 / 3.5	33.25R29	685.8 mm	88.9 mm	736.6 mm	677.9 mm	398.5 mm	631.9 mm	
		27.0 in	3.5 in	29.0 in	26.7 in	15.7 in	24.9 in	
33 x 13 / 2.5	18.00R33	330.2 mm	63.5 mm	838.2 mm	771.4 mm	225.5 mm	731.8 mm	
		13.0 in	2.5 in	33.0 in	30.4 in	8.9 in	28.8 in	
33 x 28 / 3.5	35 /65 R33	711.2 mm	88.9 mm	838.2 mm	763.3 mm	417.6 mm	731.8 mm	
		28.0 in	3.5 in	33.0 in	30.0 in	16.4 in	28.8 in	
33 x 32 / 3.5	37.5R33	812.8 mm	88.9 mm	838.2 mm	763.3 mm	468.4 mm	731.8 mm	
		32.0 in	3.5 in	33.0 in	30.0 in	18.4 in	28.8 in	
35 x 15 / 3.0	21.00R35	381.0 mm	76.2 mm	889.0 mm	822.2 mm	254.0 mm	782.6 mm	
		15.0 in	3.0 in	35.0 in	32.4 in	10.0 in	30.8 in	
35 x 17 / 3.5	24.00R35	431.8 mm	88.9 mm	889.0 mm	814.1 mm	283.5 mm	782.6 mm	
		17.0 in	3.5 in	35.0 in	32.0 in	11.2 in	30.8 in	
35 x 27 / 3.5	33.25R35	685.8 mm	88.9 mm	889.0 mm	826.3 mm	404.9 mm	782.6 mm	
		27.0 in	3.5 in	35.0 in	32.5 in	15.9 in	30.8 in	



	PART NUMBERS				TOTAL WEIGHT	NOTES
	SIDE RING	BEAD SEAT BAND	LOCK RING	ASSEMBLY NUMBER		
100-025-0020	200-025-0015	300-025-0013	815-025-0188-04-A	146 kg 322 lb	<ul style="list-style-type: none"> <li>Commonly used in high pressure applications</li> <li>EMH lock ring is painted blue for easy identification and only compatible with EMH gutter sections</li> </ul>	
100-025-0018	200-025-0004	300-025-0013	815-025-0226-01-A	179 kg 394 lb		
100-025-0031	200-025-0025	300-025-0013	825-025-0167-01-A	166 kg 366 lb		
100-025-0015	200-025-0004	300-025-0013	815-025-0254-01-A	213 kg 468 lb		
100-025-0020	200-025-0025-01	300-025-0013	825-025-0855-01-A	202 kg 445 lb		
100-025-0018	200-025-0004	300-025-0013	825-025-0888-01-A	232 kg 510 lb		
100-025-0015	200-025-0025	300-025-0013	825-025-0733-01-A	267 kg 588 lb		
100-029-0001	200-029-0010-02	300-029-0002	825-029-0172-01-A	390 kg 857 lb		
100-029-0001	200-029-0010-01	300-029-0002	815-029-0007-01-A	462 kg 1,017 lb		
100-033-0004	200-033-0022-01	300-033-0012	825-033-0205-01-A	362 kg 797 lb		
100-033-0003	200-033-0022-01	300-033-0012	825-033-0145-01-A	559 kg 1,229 lb		
100-033-0003	200-033-0022-01	300-033-0012	825-033-0169-01-A	600 kg 1,319 lb		
100-035-0010	200-035-0021	300-035-0012	825-035-0188-01-A	515 kg 1,133 lb		
100-035-0012	200-035-0021	300-035-0012	825-035-0166-01-A	605 kg 1,332 lb		
100-035-0002	200-035-0021-01	300-035-0012	825-035-0186-01-A	582 kg 1,280 lb		

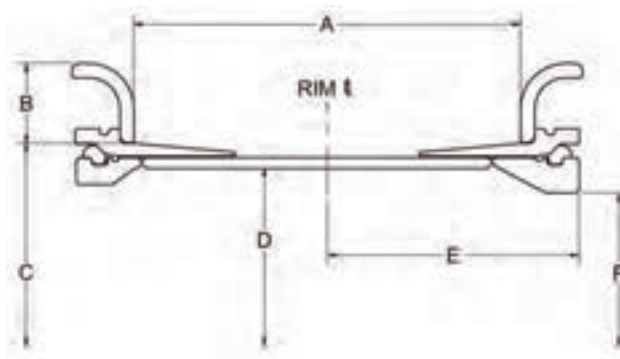


## EMH DGS/MES ASSEMBLIES



RIM SIZE C x A / B	TYPICAL TYRE SIZE	DIMENSIONS						
		A	B	C	D	E	F	
35 x 15 / 3.0	21.00R35	381.0 mm	76.2 mm	889.0 mm	830.3 mm	254.0 mm	784.3 mm	
		15.0 in	3.0 in	35.0 in	32.7 in	10.0 in	30.9 in	
49 x 19.5 / 4.0	27.00R49	497.8 mm	101.6 mm	1 244.6 mm	1 181.9 mm	316.7 mm	1 139.9 mm	
		19.5 in	4.0 in	49.0 in	46.5 in	12.5 in	44.9 in	

## EMH/MEMH (MES) ASSEMBLY

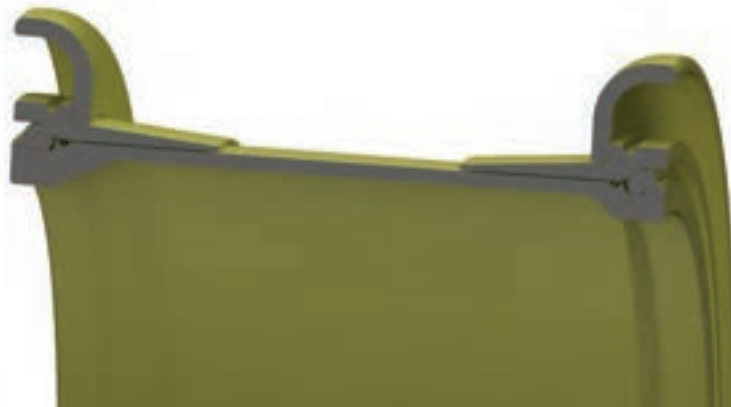


RIM SIZE C x A / B	TYPICAL TYRE SIZE	DIMENSIONS						
		A	B	C	D	E	F	
49 x 19.5 / 4.0	27.00R49	495.3 mm	101.6 mm	1 244.6 mm	1 181.9 mm	319.3 mm	1 119.1 mm	
		19.5 in	4.0 in	49.0 in	46.5 in	12.6 in	44.1 in	

EMH DGS/MES & EMH/MEMH (MES) ASSEMBLIES

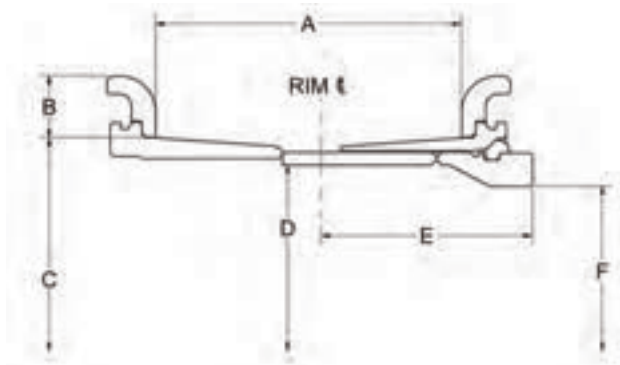


	PART NUMBERS				TOTAL WEIGHT	NOTES
	SIDE RING	FLANGE	LOCK RING	ASSEMBLY NUMBER		
	100-035-0005	200-035-0014	300-035-0012	825-035-0183-01-A	404 kg 888 lb	<ul style="list-style-type: none"> <li>Commonly used in high pressure applications</li> <li>EMH lock ring is painted blue for easy identification and only compatible with EMH gutter sections</li> </ul>
	100-049-0015	200-049-0026	300-049-0013	825-049-0169-01-A	723 kg	
			300-049-0023		1,591 lb	



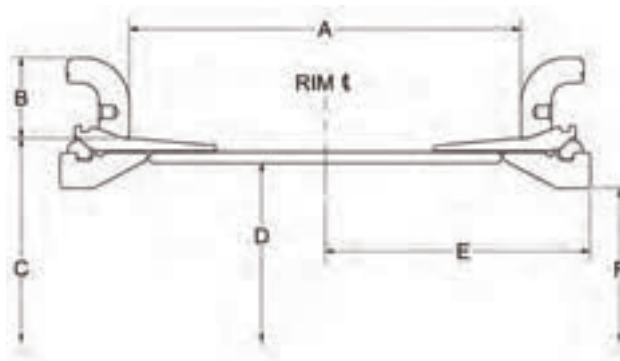
	PART NUMBERS				TOTAL WEIGHT	NOTES
	SIDE RING	BEAD SEAT BAND	LOCK RING	ASSEMBLY NUMBER		
	100-049-0015	200-049-0031	300-049-0013	815-049-0155-01-A	730 kg	<ul style="list-style-type: none"> <li>Commonly used in high pressure, heavy load applications</li> <li>EMH lock ring is painted blue for easy identification and only compatible with EMH gutter sections</li> </ul>
			300-049-0023		1,607 lb	

# MES/MEMH ASSEMBLIES



RIM SIZE C x A / B	TYPICAL TYRE SIZE	DIMENSIONS						
		A	B	C	D	E	F	
33 x 15 / 3.0	21.00R35	381.0 mm	76.2 mm	889.0 mm	822.5 mm	258.8 mm	769.9 mm	
		15.0 in	3.0 in	35.0 in	32.4 in	10.2 in	30.3 in	
35 x 17 / 3.5	24.00R35	431.8 mm	88.9 mm	889.0 mm	822.5 mm	288.3 mm	769.9 mm	
		17.0 in	3.5 in	35.0 in	32.4 in	11.3 in	30.3 in	
49 x 19.5 / 4.0	27.00R49	495.3 mm	101.6 mm	1 244.6 mm	1 181.9 mm	309.6 mm	1 119.1 mm	
		19.5 in	4.0 in	49.0 in	46.5 in	12.2 in	44.1 in	

# MEMH/MEMH (TSR) ASSEMBLY



RIM SIZE C x A / B	TYPICAL TYRE SIZE	DIMENSIONS						
		A	B	C	D	E	F	
49 x 19.5 / 4.0	27.00R49	495.3 mm	101.6 mm	1 244.6 mm	1 181.9 mm	327.9 mm	1 119.1 mm	
		19.5 in	4.0 in	49.0 in	46.5 in	12.9 in	44.1 in	

MES/MEMH & MEMH/MEMH (TSR) ASSEMBLIES

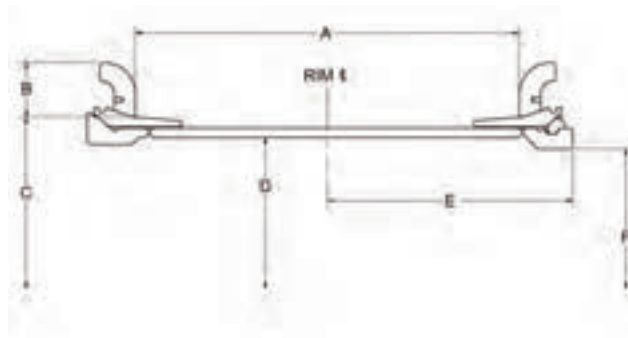


	PART NUMBERS				TOTAL WEIGHT	NOTES
	SIDE RING	BEAD SEAT BAND	LOCK RING	ASSEMBLY NUMBER		
	100-035-0010	200-035-0021	300-035-0012	815-035-0125-01-A	425 kg 934 lb	<ul style="list-style-type: none"> <li>Commonly used in high pressure, heavy load applications</li> <li>EMH lock ring is painted blue for easy identification and only compatible with EMH gutter sections</li> </ul>
	100-035-0012	200-035-0021	300-035-0012	815-035-0127-01-A	497 kg 1,094 lb	
	100-049-0015	200-049-0031	300-049-0013	815-049-0137-01-A	645 kg 1,419 lb	



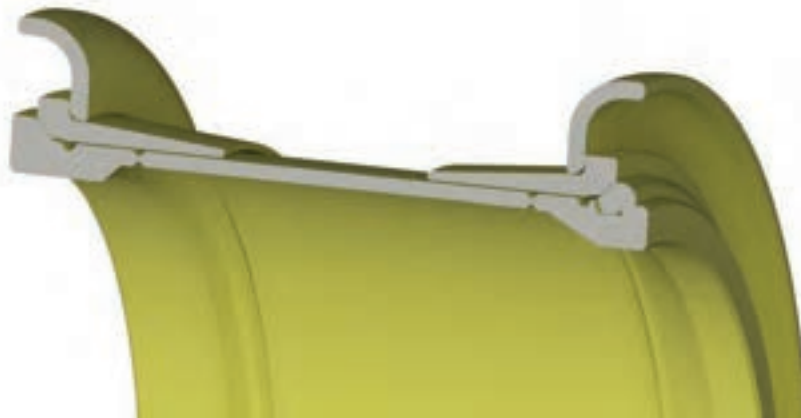
	PART NUMBERS				TOTAL WEIGHT	NOTES
	SIDE RING	BEAD SEAT BAND	LOCK RING	ASSEMBLY NUMBER		
	100-049-0022	200-049-0024	300-049-0013	815-049-0151-01-A	887 kg 1,951 lb	<ul style="list-style-type: none"> <li>Commonly used in high pressure, heavy load applications</li> <li>EMH lock ring is painted blue for easy identification and only compatible with EMH gutter sections</li> </ul>

# IGLR/EMH (MES) ASSEMBLY



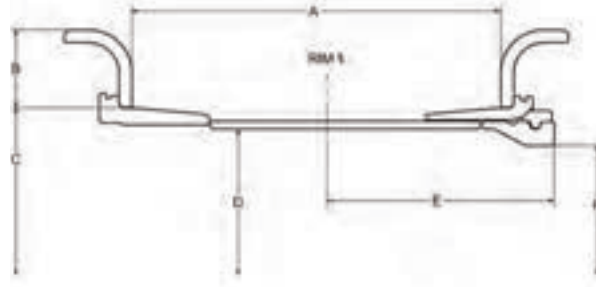
RIM SIZE C x A / B	TYPICAL TYRE SIZE	DIMENSIONS						
		A	B	C	D	E	F	
35 x 15 / 3.0	21.00R35	381 mm	76.2 mm	889.0 mm	830.3 mm	252.5 mm	784.3 mm	
		15.0 in	3.0 in	35.0 in	32.7 in	9.9 in	30.9 in	

IGLR/EMH (MES) ASSEMBLY



	PART NUMBERS				TOTAL WEIGHT	NOTES
	SIDE RING	FLANGE	LOCK RING	ASSEMBLY NUMBER		
	100-035-0005	200-035-0014	300-035-0012	825-035-0182-01-A	405 kg 892 lb	<ul style="list-style-type: none"> <li>• Commonly used in high pressure, heavy load applications</li> <li>• EMH lock ring is painted blue for easy identification and only compatible with EMH gutter sections</li> </ul>

# MES/HDT ASSEMBLIES



MES/HDT ASSEMBLIES

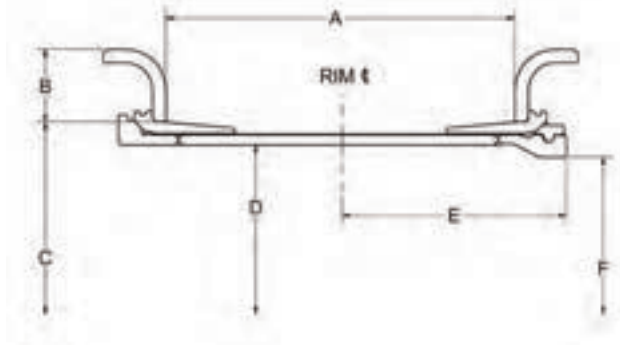
RIM SIZE C x A / B	TYPICAL TYRE SIZE	DIMENSIONS					
		A	B	C	D	E	F
45 x 36 / 4.5	45 /65R45	914.0 mm	114.3 mm	1 143.0 mm	1 068.1 mm	536.0 mm	1 019.3 mm
		36.0 in	4.5 in	45.0 in	42.0 in	21.1 in	40.1 in
49 x 17 / 4.0	24.00R49	431.8 mm	101.6 mm	1 244.6 mm	1 169.7 mm	294.6 mm	1 120.9 mm
		17.0 in	4.0 in	49.0 in	46.0 in	11.6 in	44.1 in
49 x 19.5 / 4.0	27.00R49	482.6 mm	101.6 mm	1 244.6 mm	1 169.4 mm	325.1 mm	1 120.9 mm
		19.5 in	4.0 in	49.0 in	46.0 in	12.8 in	44.1 in
51 x 22 / 4.5	30.00R51	558.8 mm	114.3 mm	1 295.4 mm	1 204.5 mm	357.4 mm	1 149.4 mm
		22.0 in	4.5 in	51.0 in	47.4 in	14.1 in	45.2 in
51 x 24 / 5.0	33.00R51	609.6 mm	127.0 mm	1 295.4 mm	1 212.6 mm	379.5 mm	1 149.4 mm
		24.0 in	5.0 in	51.0 in	47.7 in	14.9 in	45.2 in
51 x 26 / 5.0	36.00R51	660.4 mm	127.0 mm	1 295.4 mm	1 212.6 mm	404.9 mm	1 149.4 mm
		26.0 in	5.0 in	51.0 in	47.7 in	15.9 in	45.2 in
51 x 40 / 4.5	50 /65R51	1016 mm	114.3 mm	1 295.4 mm	1 200.4 mm	586.7 mm	1 149.4 mm
		40.0 in	4.5 in	51.0 in	47.3 in	23.1 in	45.2 in
57 x 27 / 6.0	37.00R57	606.4 mm	152.4 mm	1 447.8 mm	1 365.0 mm	417.6 mm	1 301.8 mm
		27.0 in	6.0 in	57.0 in	53.7 in	16.4 in	51.2 in
57 x 29 / 6.0	40.00R57	736.6 mm	152.4 mm	1 447.8 mm	1 352.8 mm	455.7 mm	1 301.8 mm
		29.0 in	6.0 in	57.0 in	53.3 in	17.9 in	51.2 in
57 x 32 / 6.0	46 /90R57	812.0 mm	152.4 mm	1 447.8 mm	1 356.9 mm	493.8 mm	1 301.8 mm
		32.0 in	6.0 in	57.0 in	53.4 in	19.4 in	51.2 in
57 x 34 / 5.0	50 /80R57	836.6 mm	127.0 mm	1 447.8 mm	1 356.9 mm	517.7 mm	1 301.8 mm
		34.0 in	5.0 in	57.0 in	53.4 in	20.4 in	51.2 in
57 x 36 / 6.0	52 /80-57	914.4 mm	152.4 mm	1 447.8 mm	1 352.8 mm	552.5 mm	1 270.0 mm
		36.0 in	6.0 in	57.0 in	53.3 in	21.7 in	50.0 in
57 x 44 / 5.0	44.5 /80R57	1 117.6 mm	127.0 mm	1 447.8 mm	1 352.8 mm	654.1 mm	1 270.0 mm
		44.0 in	5.0 in	57.0 in	53.26 in	25.7 in	50.0 in
57 x 47 / 6.0	60 /80R57	1 193.8 mm	152.4 mm	1 447.8 mm	1 352.8 mm	692.2 mm	1 270.0 mm
		47.0 in	6.0 in	57.0 in	53.26 in	27.2 in	50.0 in
57 x 52 / 6.0	65 /65R57	1 320.8 mm	152.4 mm	1 447.8 mm	1 352.8 mm	754.9 mm	1 270.0 mm
		52.0 in	6.0 in	57.0 in	53.26 in	29.7 in	50.0 in
57 x 60 / 6.0	70 /70R57	1 524.0 mm	152.4 mm	1 447.8 mm	1 352.8 mm	863.6 mm	1 295.4 mm
		60.0 in	6.0 in	57.0 in	53.26 in	34.0 in	51.0 in
63 x 44 / 5.0	59 /80R63	1 117.6 mm	127.0 mm	1 600.2 mm	1 544.3 mm	683.3 mm	1 417.6 mm
		44.0 in	5.0 in	63.0 in	60.8 in	26.9 in	55.8 in



	PART NUMBERS				TOTAL WEIGHT	NOTES
	SIDE RING	BEAD SEAT BAND	LOCK RING	ASSEMBLY NUMBER		
100-051-0023	200-051-0017-05	300-051-0012	825-045-0128-01-A	1,065 kg 2,345 lb	• Suitable for a wide variety of applications	
100-049-0015	200-049-0026	300-049-0012	825-049-0149-01-A	1,080 kg 2,376 lb		
100-049-0015	200-049-0026	300-049-0012	825-049-0119-01-A	809 kg 1,780 lb		
100-051-0004	200-051-0015	300-051-0012	825-051-0211-01-A	1,074 kg 2363 lb		
100-051-0023	200-051-0015	300-051-0012	815-051-0112-01-A	994 kg 2,186 lb		
100-051-0023	200-051-0015	300-051-0012	815-051-0127-02-A	1,017 kg 2,238 lb		
100-051-0004	200-051-0018-02	300-051-0012	825-051-0216-01-A	1,586 kg 3,490 lb		
100-057-0026	200-057-0024	300-057-0012	815-057-0114-01-A	1,412 kg 3,106 lb		
100-057-0026	200-057-0024	300-057-0012	825-057-0159-02-A	1,709 kg 3,760 lb		
100-057-0026	200-057-0024	300-057-0012	815-057-0161-01-B	1,531 kg 3,369 lb		
100-057-0020	200-057-0024	300-057-0012	815-057-0150-01-A	1,561 kg 3,435 lb		
100-057-0026	200-057-0018-02	300-057-0012	825-057-0166-01-A	1,970 kg 4,335 lb		
100-057-0020	200-057-0018-06	300-057-0012	825-057-0167-01-A	2,095 kg 4,608 lb		
100-057-0026	200-057-0018-06	300-057-0012	825-057-0240-01-A	2,202 kg 4,845 lb		
100-057-0026	200-057-0018-06	300-057-0012	825-057-0187-01-A	2,357 kg 5,185 lb		
100-057-0038	200-057-0039-01	300-057-0012	825-057-0267-01-A	2,456 kg 5,404 lb		
100-063-0010	200-063-0004	300-063-0006	825-063-0024-03-A	3,159 kg 6,951 lb		

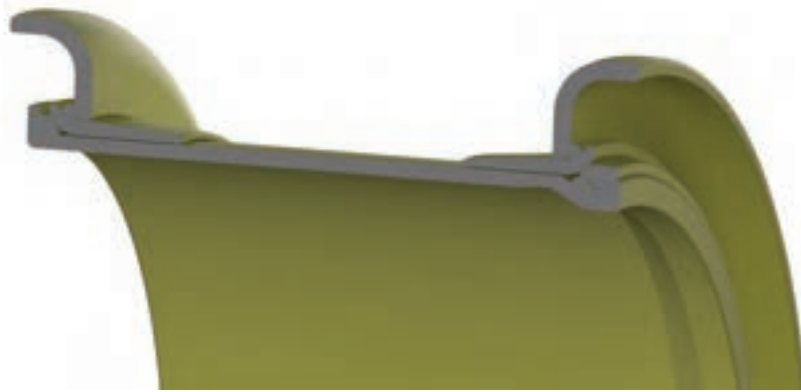


# MES/HDT IGLR ASSEMBLIES



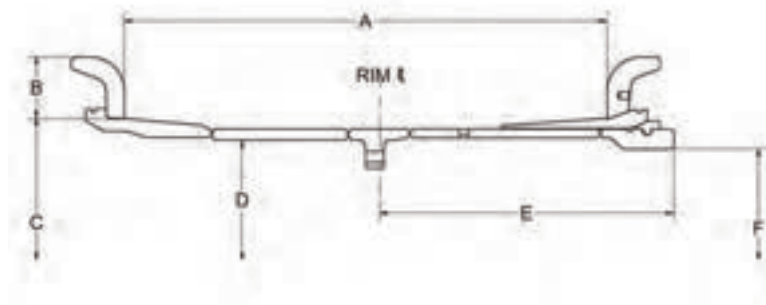
RIM SIZE C x A / B	TYPICAL TYRE SIZE	DIMENSIONS						
		A	B	C	D	E	F	
51 x 24 / 5.0	33.00R51	609.6 mm	127.0 mm	1 295.4 mm	1 212.8 mm	397.8 mm	1 149.3 mm	
		24.0 in	5.0 in	51.0 in	47.7 in	15.7 in	45.2 in	
51 x 26 / 5.0	36.00R51	660.4 mm	127.0 mm	1 295.4 mm	1 212.8 mm	423.9 mm	1 149.3 mm	
		26.0 in	5.0 in	51.0 in	47.7 in	16.7 in	45.2 in	
57 x 29 / 6.0	40.00R57	736.6 mm	152.4 mm	1 447.8 mm	1 352.5 mm	469.1 mm	1301.7 mm	
		29.0 in	6.0 in	57.0 in	53.2 in	18.5 in	51.2 in	
57 x 32 / 6.0	46 /90R57	812.8 mm	152.4 mm	1 447.8 mm	1 365.2 mm	510.5 mm	1 301.7 mm	
		32.0 in	6.0 in	57.0 in	53.7 in	20.1 in	51.2 in	

MES/HDT IGLR ASSEMBLIES



	PART NUMBERS				TOTAL WEIGHT	NOTES
	SIDE RING	BEAD SEAT BAND	LOCK RING	ASSEMBLY NUMBER		
	100-051-0023	200-051-0015	300-051-0012	825-051-0224-01-A	1,183 kg 2,603 lb	<ul style="list-style-type: none"> <li>Suitable for a variety of applications</li> </ul>
	100-051-0023	200-051-0015	300-051-0012	825-051-0225-01-A	1,209 kg 2,659 lb	
	100-057-0026	200-057-0024	300-057-0016	815-057-0187-01-A	1,677 kg 3,689 lb	
	100-057-0026	200-057-0024	300-057-0012	825-057-0266-01-A	1,698 kg 3,735 lb	

# MES/TSR HYBRID ASSEMBLY



RIM SIZE C x A / B	TYPICAL TYRE SIZE	DIMENSIONS							
		A	B	C	D	E	F	G	
57 x 47 / 6.0	60 / 80R57	1 193.8 mm	152.4 mm	1 397.0 mm	1 341.1 mm	728.0 mm	1 295.4 mm	1 352.8 mm	
		47.0 in	6.0 in	55.0 in	52.8 in	28.7 in	51.0 in	53.3 in	

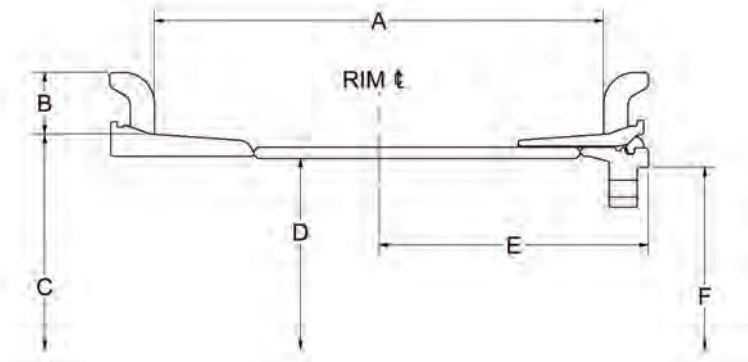
MES/TSR HYBRID ASSEMBLY



	PART NUMBERS				TOTAL WEIGHT	NOTES
	SIDE RING	BEAD SEAT BAND	LOCK RING	ASSEMBLY NUMBER		
	100-057-0025	200-057-0033	300-057-0011	825-057-0194-03-A	2,610 kg 5,743 lb	<ul style="list-style-type: none"> <li>• RIMEX exclusive design only compatible with TSR components [NOT interchangeable]</li> <li>• TSR lock ring is designed for increased safety and the longest service life in the industry</li> <li>• TSR lock ring is painted red for easy identification</li> </ul>

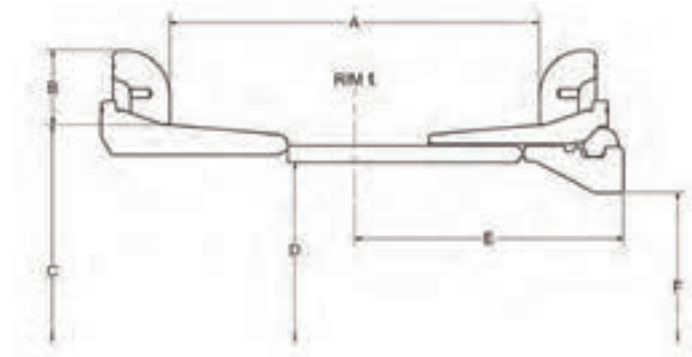
MES/TSR HYBRID ASSEMBLY

## TSR/EM ASSEMBLY



RIM SIZE C x A / B	TYPICAL TYRE SIZE	DIMENSIONS					
		A	B	C	D	E	F
25 x 25 / 3.5	29.5R25	635.0 mm	88.9 mm	635.0 mm	568.5 mm	381.0 mm	543.0 mm
		25.0 in	3.5 in	25.0 in	22.4 in	15.0 in	21.4 in

## TSR/EMH ASSEMBLIES

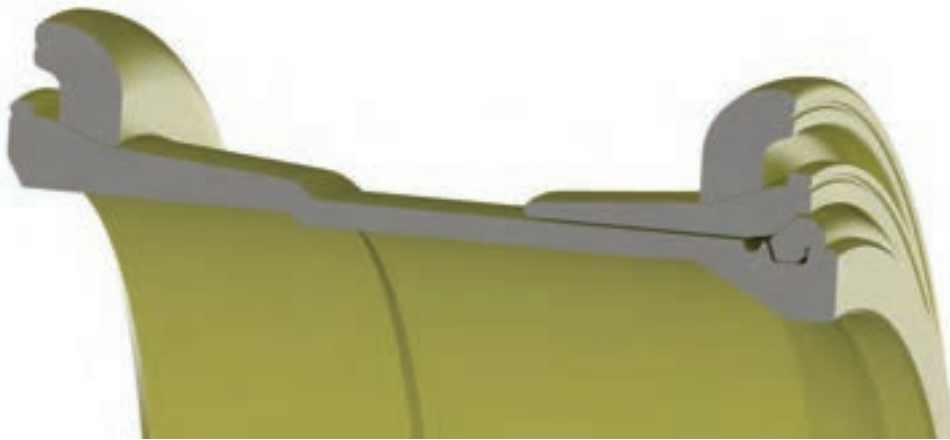


RIM SIZE C x A / B	TYPICAL TYRE SIZE	DIMENSIONS					
		A	B	C	D	E	F
25 x 25 / 3.5	29.5R25	635.0 mm	88.9 mm	635.0 mm	572.3 mm	383.8 mm	546.1 mm
		25.0 in	3.5 in	25.0 in	22.5 in	15.1 in	21.5 in
33 x 13 / 2.5	18.00R33	330.2 mm	63.5 mm	838.2 mm	775.5 mm	222.5 mm	723.9 mm
		13.0 in	2.5 in	33.0 in	30.5 in	8.7 in	28.5 in
33 x 28 / 3.5	35 / 65 R33	711.2 mm	88.9 mm	838.2 mm	763.3 mm	425.4 mm	731.8 mm
		28.0 in	3.5 in	33.0 in	30.0 in	16.7 in	28.8 in
35 x 17 / 3.5	24.00R35	431.8 mm	88.9 mm	889.0 mm	830.3 mm	290.6 mm	784.3 mm
		17.0 in	3.5 in	35.0 in	32.7 in	11.4 in	30.9 in

TSR/EM & TSR/EMH ASSEMBLIES

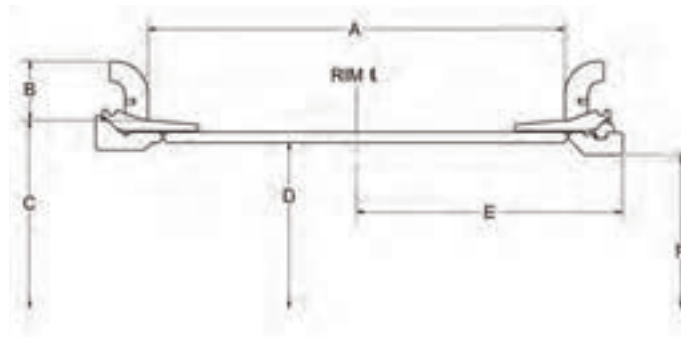


	PART NUMBERS				TOTAL WEIGHT	NOTES
	SIDE RING	BEAD SEAT BAND	LOCK RING	ASSEMBLY NUMBER		
	100-025-0030	200-025-0028	300-025-0004-02	825-025-0858-01-A	415 kg 913 lb	<ul style="list-style-type: none"> <li>Suitable for a wide variety of applications</li> </ul>



	PART NUMBERS				TOTAL WEIGHT	NOTES
	SIDE RING	BEAD SEAT BAND	LOCK RING	ASSEMBLY NUMBER		
	100-025-0030	200-025-0028	300-025-0013	825-025-0891-01-A	396 kg 872 lb	<ul style="list-style-type: none"> <li>Commonly used in high pressure applications</li> <li>EMH lock ring is painted blue for easy identification and only compatible with EMH gutter sections</li> </ul>
	100-033-0015	200-033-0026	300-033-0012	815-033-0148-01-A	330 kg 725 lb	
	100-033-0007	200-033-0023	300-033-0012	825-033-0208-01-A	632 kg 1390 lb	
	100-035-0013	200-035-0019	300-035-0016	825-035-0189-01-A	507 kg 1,115 lb	

# IGLR/EMH (TSR) ASSEMBLIES



RIM SIZE C x A / B	TYPICAL TYRE SIZE	DIMENSIONS						
		A	B	C	D	E	F	
29 x 25 / 3.5	29.5R29	635.0 mm	88.9 mm	736.6 mm	669.5 mm	397.0 mm	631.9 mm	
		25.0 in	3.5 in	29.0 in	26.4 in	15.6 in	24.9 in	
33 x 28 / 3.5	35 /65 R33	711.2 mm	88.9 mm	838.2 mm	763.3 mm	441.4 mm	735.1 mm	
		28.0 in	3.5 in	33.0 in	30.0 in	17.4 in	29.6 in	
35 x 17 / 3.5	24.00R35	419.1 mm	88.9 mm	889.0 mm	828.8 mm	290.6 mm	784.3 mm	
		17.0 in	3.5 in	35.0 in	32.6 in	11.4 in	30.9 in	

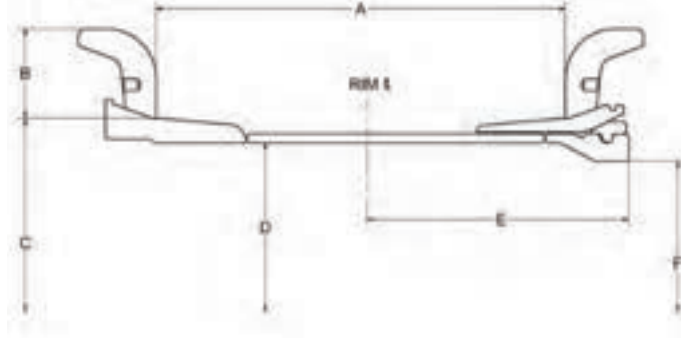
IGLR/EMH (TSR) ASSEMBLIES



	PART NUMBERS				TOTAL WEIGHT	NOTES
	SIDE RING	FLANGE	LOCK RING	ASSEMBLY NUMBER		
	100-029-0003	200-029-0019	300-029-0002	825-029-0168-01-A	520 kg 1,143 lb	<ul style="list-style-type: none"> <li>RIMEX exclusive design only compatible with TSR components [NOT interchangeable]</li> <li>TSR lock ring is designed for increased safety and the longest service life in the industry</li> <li>TSR lock ring is painted red for easy identification</li> </ul>
	100-033-0016	200-033-0028	300-033-0012-01	825-033-0204-01-A	670 kg 1,473 lb	
	100-035-0013	200-035-0019	300-035-0016	825-035-0178-01-A	541 kg 1,191 lb	

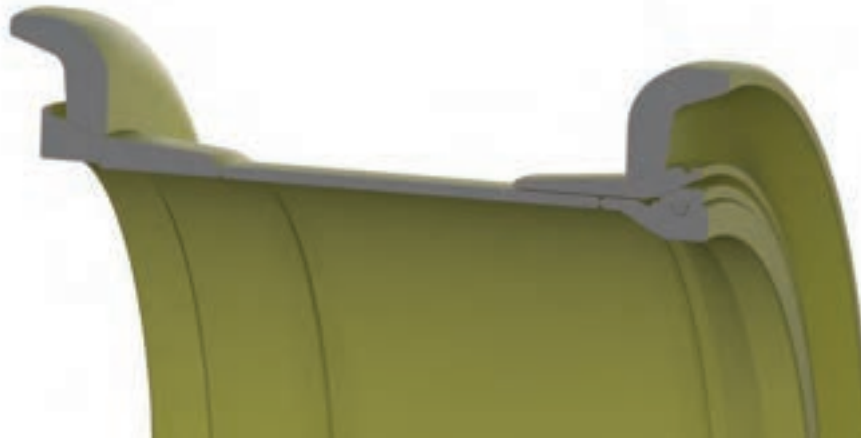


# TSR/HDT ASSEMBLIES



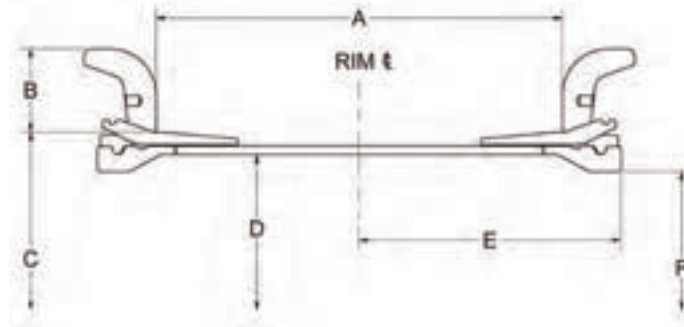
TSR/HDT ASSEMBLIES

RIM SIZE C x A / B	TYPICAL TYRE SIZE	DIMENSIONS					
		A	B	C	D	E	F
45 x 36 / 4.5	45 /65R45	914.4 mm	114.3 mm	1 143.0 mm	1 068.1 mm	560.6 mm	1 019.3 mm
		36.0 in	4.5 in	45.0 in	42.0 in	22.1 in	40.1 in
49 x 19.5 / 4.0	27.00R49	495.3 mm	101.6 mm	1 244.6 mm	1 169.7 mm	328.7 mm	1 120.9 mm
		19.5 in	4.0 in	49.0 in	46.0 in	12.9 in	44.1 in
51 x 22 / 5.0	30.00R51	558.8 mm	127.0 mm	1 295.4 mm	1 188.7 mm	385.8 mm	1 117.6 mm
		22.0 in	5.0 in	51.0 in	46.8 in	15.2 in	44.0 in
51 x 24 / 5.0	33.00R51	571.5 mm	127.0 mm	1 295.4 mm	1 212.6 mm	381.0 mm	1 149.3 mm
		24.0 in	5.0 in	51.0 in	47.7 in	15.0 in	45.2 in
51 x 26 / 5.0	36.00R51	673.1 mm	127.0 mm	1 295.4 mm	1 204.5 mm	431.8 mm	1 149.3 mm
		26.0 in	5.0 in	51.0 in	47.4 in	17.0 in	45.2 in
51 x 40 / 5.0	50 /65R51	1 016.0 mm	127.0 mm	1 295.4 mm	1 200.4 mm	614.4 mm	1 149.3 mm
		40.0 in	5.0 in	51.0 in	47.3 in	24.2 in	45.2 in
57 x 29 / 6.0	40.00R57	736.6 mm	152.4 mm	1 447.8 mm	1 352.8 mm	466.8 mm	1 301.7 mm
		29.0 in	6.0 in	57.0 in	53.3 in	18.4 in	51.2 in
57 x 32 / 5.0	46 /90R57	812.8 mm	127.0 mm	1 447.8 mm	1 356.9 mm	504.9 mm	1 301.7 mm
		32.0 in	5.0 in	57.0 in	53.4 in	19.9 in	51.2 in
57 x 44 / 5.0	44.5 /80R57	1 117.6 mm	127.0 mm	1 447.8 mm	1 352.8 mm	684.3 mm	1 270.0 mm
		44.0 in	5.0 in	57.0 in	53.3 in	26.9 in	50.0 in
63 x 36 / 5.0	53 /80R63	914.4 mm	127.0 mm	1 549.4 mm	1 493.5 mm	576.3 mm	1 395.0 mm
		36.0 in	5.0 in	61.0 in	58.8 in	22.7 in	54.9 in
63 x 37 / 5.0	55 /80R63	939.8 mm	127.0 mm	1 549.4 mm	1 493.5 mm	579.6 mm	1 301.7 mm
		37.0 in	5.0 in	61.0 in	58.8 in	22.8 in	51.2 in
63 x 38 / 5.0	56 /80R63	965.2 mm	127.0 mm	1 549.4 mm	1 493.5 mm	592.3 mm	1 301.7 mm
		38.0 in	5.0 in	61.0 in	58.8 in	23.3 in	51.2 in
63 x 41 / 5.0	58 /80R63	1 041.4 mm	127.0 mm	1 549.4 mm	1 493.5 mm	630.4 mm	1 435.1 mm
		41.0 in	5.0 in	61.0 in	58.80 in	24.8 in	56.5 in
63 x 44 / 5.0	59 /80R63	1 117.6 mm	127.0 mm	1 549.4 mm	1 493.5 mm	667.0 mm	1 432.0 mm
		44.0 in	5.0 in	61.0 in	58.8 in	26.3 in	56.4 in



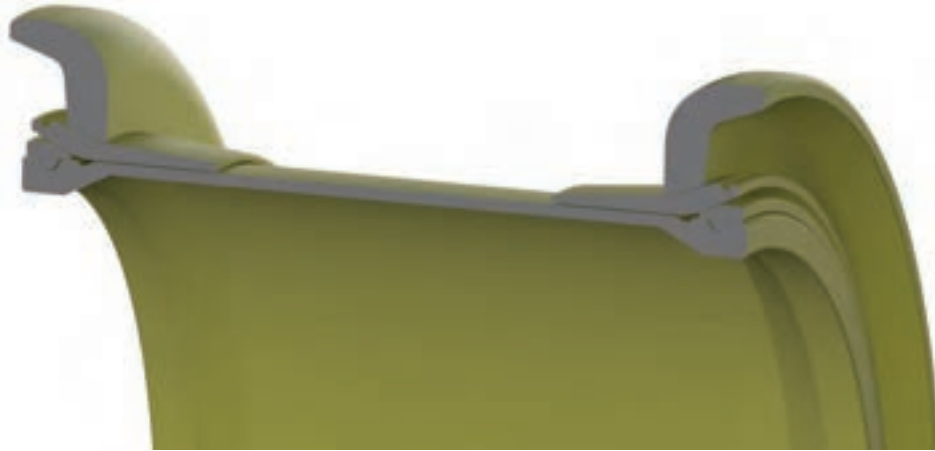
	PART NUMBERS				TOTAL WEIGHT	NOTES
	SIDE RING	BEAD SEAT BAND	LOCK RING	ASSEMBLY NUMBER		
100-045-0014	200-045-0012	300-045-0011	825-045-0125-01-A	1,273 kg 2,801 lb	• Suitable for a wide variety of applications	
100-049-0022	200-049-0028	300-049-0011	825-049-0176-01-A	970 kg 2,134 lb		
100-051-0024	200-051-0021	300-051-0011	815-051-0132-01-A	1,556 kg 3,424 lb		
100-051-0024	200-051-0021	300-051-0011	815-051-0122-02-A	1,333 kg 2,933 lb		
100-051-0024	200-051-0021	300-051-0011	825-051-0209-01-A	1,516 kg 3,335 lb		
100-051-0024	200-051-0017	300-051-0011-01	825-051-0226-01-A	1,936 kg 4,259 lb		
100-057-0025	200-057-0023	300-057-0011	825-057-0160-01-A	2,137 kg 4,701 lb		
100-057-0024	200-057-0023	300-057-0011	815-057-0162-01-A	1,787 kg 3,932 lb		
100-057-0024	200-057-0014	300-057-0011	825-057-0127-01-A	2,445 kg 5,378 lb		
100-063-0009	200-063-0015	300-063-0010	815-063-0034-01-A	2,773 kg 6,100 lb		
100-063-0009	200-063-0003	300-063-0005	815-063-0023-01-A	2,987 kg 6,572 lb		
100-063-0009	200-063-0003	300-063-0001	815-063-0018-01-A	3,017 kg 6,638 lb		
100-063-0009	200-063-0003	300-063-0010	825-063-0063-01-A	2,891 kg 6,361 lb		
100-063-0009	200-063-0003	300-063-0001	825-063-0081-01-A	3,066 kg 6,746 lb		

# TSR/HDT DGS ASSEMBLIES



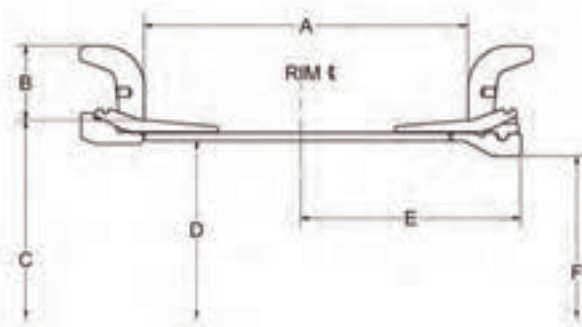
TSR/HDT DGS ASSEMBLIES

RIM SIZE C x A / B	TYPICAL TYRE SIZE	DIMENSIONS						
		A	B	C	D	E	F	
49 x 19 / 4.0	27.00R49	495.3 mm	101.6 mm	1 244.6 mm	1 169.7 mm	348.0 mm	1 120.9 mm	
		19.50 in	4.0 in	49.0 in	46.0 in	13.7 in	44.1 in	
51 x 24 / 5.0	33.00R51	609.6 mm	127.0 mm	1 295.4 mm	1 212.8 mm	420.9 mm	1 149.3 mm	
		24.0 in	5.0 in	51.0 in	47.7 in	16.6 in	45.2 in	
51 x 26 / 5.0	36.00R51	660.4 mm	127.0 mm	1 295.4 mm	1 212.8 mm	447.0 mm	1 149.3 mm	
		26.0 in	5.0 in	51.0 in	47.7 in	17.6 in	45.2 in	
57 x 27 / 6.0	37.00R57	685.8 mm	152.4 mm	1 447.8 mm	1 365.2 mm	452.6 mm	1 301.7 mm	
		27.0 in	6.0 in	57.0 in	53.7 in	17.8 in	51.2 in	
57 x 29 / 6.0	40.00R57	736.6 mm	152.4 mm	1 447.8 mm	1 365.2 mm	479.5 mm	1 301.7 mm	
		29.0 in	6.0 in	57.0 in	53.7 in	18.9 in	51.2 in	
57 x 32 / 6.0	46 /90R57	812.8 mm	152.4 mm	1 447.8 mm	1 356.9 mm	516.1 mm	1 301.7 mm	
		32.0 in	6.0 in	57.0 in	53.4 in	20.3 in	51.2 in	
57 x 34 / 6.5	50 /90R57	863.6 mm	165.1 mm	1 447.8 mm	1 356.9 mm	514.5 mm	1 301.7 mm	
		34.0 in	6.5 in	57.0 in	53.4 in	21.3 in	51.2 in	
63 x 36 / 5.0	53 /80R63	914.0 mm	127.0 mm	1 600.2 mm	1 493.5 mm	581.1 mm	1 432.0 mm	
		36.0 in	5.0 in	63.0 in	58.8 in	22.9 in	56.4 in	
63 x 38 / 5.0	56 /80R63	965.2 mm	127.0 mm	1 600.2 mm	1 493.5 mm	608.1 mm	1 301.7 mm	
		38.0 in	5.0 in	63.0 in	58.8 in	23.9 in	51.2 in	
63 x 41 / 5.0	58 /80R63	1 041.4 mm	127.0 mm	1 600.2 mm	1 493.5 mm	646.2 mm	1 432.0 mm	
		41.0 in	5.0 in	63.0 in	58.8 in	25.4 in	56.4 in	
63 x 44 / 5.0	59 /80R63	1 117.6 mm	127.0 mm	1 600.2 mm	1 493.5 mm	678.2 mm	1 432.0 mm	
		44.0 in	5.0 in	63.0 in	58.8 in	26.7 in	56.4 in	



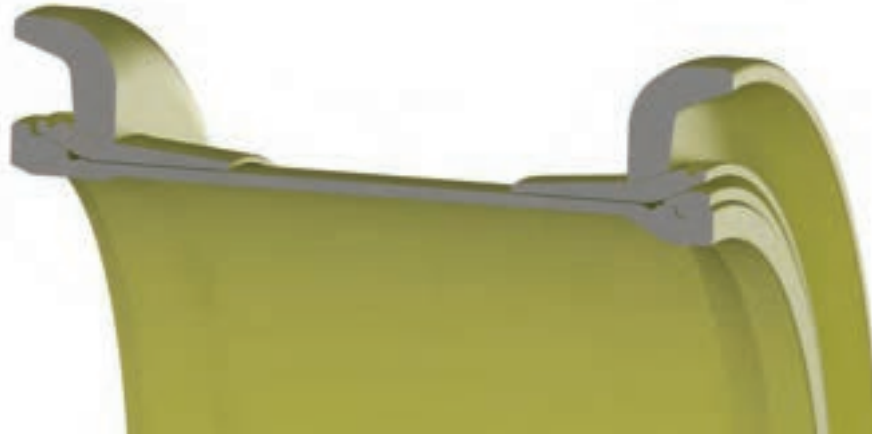
	PART NUMBERS				TOTAL WEIGHT	NOTES
	SIDE RING	BEAD SEAT BAND	LOCK RING	ASSEMBLY NUMBER		
100-049-0022	200-049-0028	300-049-0011	825-049-0152-01-A	1,096 kg	• Suitable for a wide variety of applications	
		300-049-0018		2,413 lb		
100-051-0024	200-051-0021	300-051-0011	815-051-0141-02-A	1,467 kg		
		300-051-0016		3,228 lb		
100-051-0024	200-051-0021	300-051-0011	815-051-0140-02-A	1,490 kg		
		300-051-0016		3,279 lb		
100-057-0025	200-057-0023	300-057-0011	815-057-0165-03-A	1,900 kg		
		300-057-0018		4,179 lb		
100-057-0025	200-057-0023	300-057-0011	815-057-0152-02-A	1,925 kg		
		300-057-0018		4,234 lb		
100-057-0025	200-057-0023	300-057-0011	815-057-0166-02-A	2,068 kg		
		300-057-0018		4,550 lb		
100-057-0023	200-057-0023	300-057-0011	815-057-0160-02-A	2,282 kg		
		300-057-0018		5,021 lb		
100-063-0009	200-063-0003	300-063-0005	825-063-0034-01-A	3,190 kg		
		300-063-0010		7,019 lb		
100-063-0009	200-063-0003	300-063-0001	815-063-0019-01-A	3,221 kg		
		300-063-0010		7,087 lb		
100-063-0009	200-063-0003	300-063-0001	825-063-0027-01-B	3,198 kg		
		300-063-0010		7,035 lb		
100-063-0009	200-063-0003	300-063-0005	825-063-0035-02-A	3,321 kg		
		300-063-0010		7,087 lb		

# TSR/HDT IGLR ASSEMBLIES



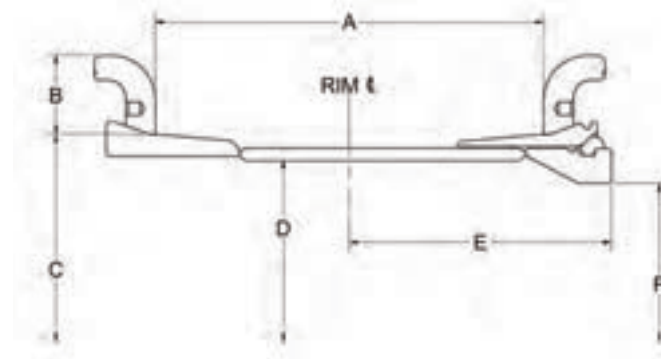
TSR/HDT IGLR ASSEMBLIES

RIM SIZE C x A / B	TYPICAL TYRE SIZE	DIMENSIONS					
		A	B	C	D	E	F
45 x 36 / 4.5	45 /65R45	914.4 mm	114.3 mm	1 143.0 mm	1 068.1 mm	577.1 mm	1 019.3 mm
		36.0 in	4.5 in	45.0 in	42.0 in	22.7 in	40.13in
49 x 19.5 / 4.0	27.00R49	482.6 mm	101.6 mm	1 244.6 mm	1 169.7 mm	344.7 mm	1 120.9 mm
		19.5 in	4.0 in	49.0 in	46.0 in	13.6 in	44.1 in
51 x 24 / 5.0	33.00R51	609.6 mm	127.0 mm	1 295.4 mm	1 212.8 mm	408.9 mm	1 149.3 mm
		24.0 in	5.0 in	51.0 in	47.7 in	16.1 in	45.2 in
51 x 26 / 5.0	36.00R51	660.4 mm	127.0 mm	1 295.4 mm	1 212.8 mm	442.2 mm	1 149.3 mm
		26.0 in	5.0 in	51.0 in	47.7 in	17.4 in	45.2 in
57 x 27 / 6.0	37.00R57	685.8 mm	152.4 mm	1 447.8 mm	1 365.2 mm	448.3 mm	1 301.7 mm
		27.0 in	6.0 in	57.0 in	53.7 in	17.6 in	51.2 in
57 x 29 / 6.0	40.00R57	736.6 mm	152.4 mm	1 447.8 mm	1 365.2 mm	480.1 mm	1 301.7 mm
		29.0 in	6.0 in	57.0 in	53.7 in	18.9 in	51.2 in
57 x 32 / 6.0	46 /90R57	812.8 mm	152.4 mm	1 447.8 mm	1 365.2 mm	508.0 mm	1 301.7 mm
		32.0 in	6.0 in	57.0 in	53.7 in	20.0 in	51.2 in
57 x 34 / 6.0	50 /90R57	863.6 mm	152.4 mm	1 447.8 mm	1 365.2 mm	546.9 mm	1 301.7 mm
		34.0 in	6.0 in	57.0 in	53.7 in	21.5 in	51.2 in
57 x 44 / 6.5	44.5 /80R57	1 117.6 mm	165.1 mm	1 447.8 mm	1 352.8 mm	703.3 mm	1 270.0 mm
		44.0 in	6.5 in	57.0 in	53.3 in	27.7 in	50.0 in
57 x 47 / 6.5	60 /80R57	1 193.8 mm	165.1 mm	1 447.8 mm	1 352.8 mm	741.4 mm	1 270.0 mm
		47.0 in	6.5 in	57.0 in	53.3 in	29.2 in	50.0 in
63 x 36 / 5.0	53 /80R63	914.4 mm	127.0 mm	1 600.2 mm	1 493.5 mm	565.1 mm	1 444.7 mm
		36.0 in	5.0 in	63.0 in	58.8 in	22.2 in	56.9 in
63 x 38 / 5.0	56 /80R63	965.2 mm	127.0 mm	1 600.2 mm	1 493.5 mm	605.0 mm	1 301.7 mm
		38.0 in	5.0 in	63.0 in	58.8 in	23.8 in	51.2 in
63 x 41 / 5.0	58 /80R63	1041.4 mm	127.0 mm	1 600.2 mm	1 493.5 mm	632.6 mm	1 432.0 mm
		41.0 in	5.0 in	63.0 in	58.8 in	24.9 in	56.4 in
63 x 44 / 5.0	59 /80R63	1 117.6 mm	127.0 mm	1 600.2 mm	1 493.5 mm	688.3 mm	1 432.0 mm
		44.0 in	5.0 in	63.0 in	58.8 in	27.1 in	56.4 in



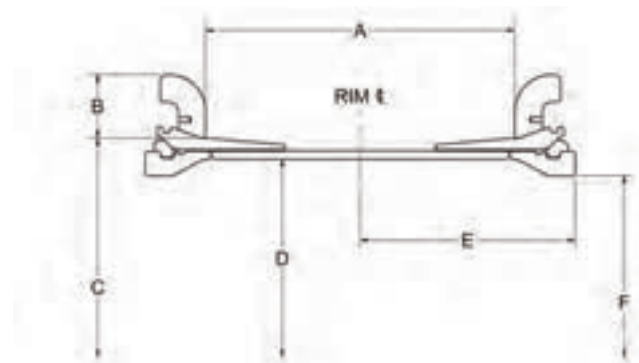
	PART NUMBERS				TOTAL WEIGHT	NOTES
	SIDE RING	BEAD SEAT BAND	LOCK RING	ASSEMBLY NUMBER		
100-045-0014	200-045-0012	300-045-0011	825-045-0134-01-A	1,397 kg 3,073 lb	• Suitable for a wide variety of applications	
100-049-0022	200-049-0028	300-049-0018	825-049-0162-01-A	1,077 kg 2,369 lb		
100-051-0024	200-051-0021	300-051-0016	825-051-0205-01-A	1,505 kg 3,312 lb		
100-051-0024	200-051-0021	300-051-0016	825-051-0203-01-A	1,530 kg 3,366 lb		
100-057-0025	200-057-0023	300-057-0018	815-057-0184-01-A	1,875 kg 4,125 lb		
100-057-0025	200-057-0023	300-057-0018	815-057-0186-01-A	1,910 kg 4,201 lb		
100-057-0025	200-057-0023	300-057-0018	825-057-0256-01-A	2,053 kg 4,517 lb		
100-057-0025	200-057-0023	300-057-0011-02	825-057-0265-01-A	2,101 kg 4,623 lb		
100-057-0023	200-057-0014	300-057-0011	825-057-0272-01-A	2,947 kg 6,484 lb		
100-057-0023	200-057-0014	300-057-0011	825-057-0278-01-A	3,006 kg 6,613 lb		
100-063-0009	200-063-0003	300-063-0010	825-063-0033-01-A	2,928 kg 6,442 lb		
100-063-0009	200-063-0003	300-063-0010	815-063-0028-01-A	3,101 kg 6,823 lb		
100-063-0009	200-063-0003	300-063-0010	825-063-0051-01-A	3,111 kg 6,844 lb		
100-063-0009	200-063-0003	300-063-0010	825-063-0045-01-A	3,159 kg 6,949 lb		

## TSR/MEMH ASSEMBLY

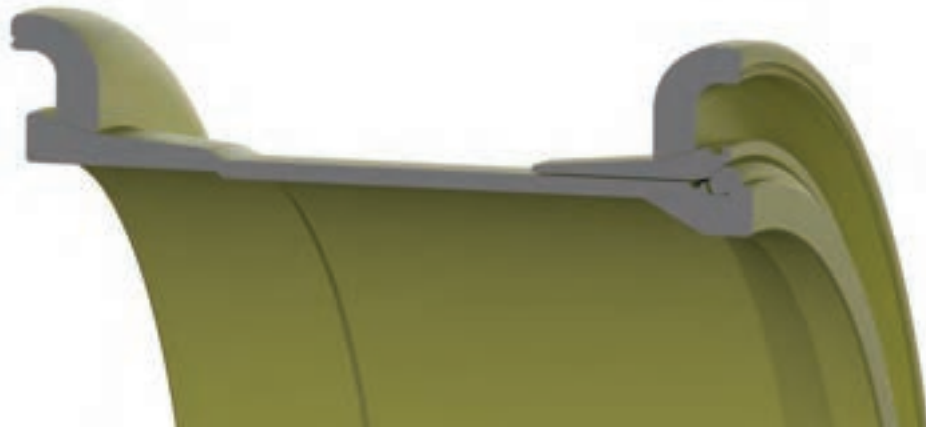


RIM SIZE C x A / B	TYPICAL TYRE SIZE	DIMENSIONS					
		A	B	C	D	E	F
49 x 19.5 / 4.0	27.00R49	495.3 mm	101.6 mm	1 244.6 mm	1 178.0 mm	323.8 mm	1 119.1 mm
		19.5 in	4.0 in	49.0 in	46.4 in	12.7 in	44.1 in

## EMH DGS/TSR ASSEMBLY



RIM SIZE C x A / B	TYPICAL TYRE SIZE	DIMENSIONS					
		A	B	C	D	E	F
35 x 17 / 3.5	24.00R35	431.8 mm	88.9 mm	889.0 mm	828.8 mm	300.2 mm	784.3 mm
		17.0 in	3.5 in	35.0 in	32.6 in	11.8 in	30.9 in



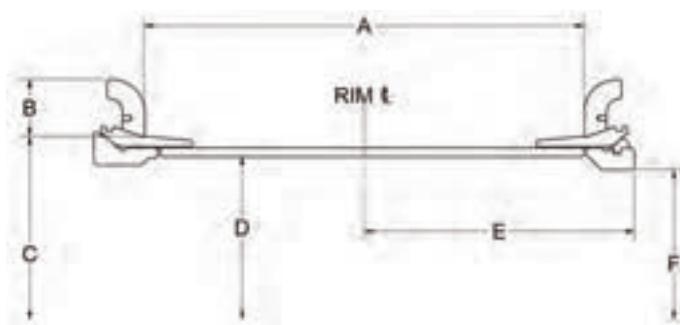
	PART NUMBERS				TOTAL WEIGHT	
	SIDE RING	BEAD SEAT BAND	LOCK RING	ASSEMBLY NUMBER		
	100-049-0022	200-049-0024	300-049-0013	815-049-0136-01-B	807 kg 1,775 lb	<ul style="list-style-type: none"> <li>Commonly used in high pressure applications</li> <li>EMH lock ring is painted blue for easy identification and only compatible with EMH gutter sections</li> </ul>



	PART NUMBERS				TOTAL WEIGHT	NOTES
	SIDE RING	FLANGE	LOCK RING	ASSEMBLY NUMBER		
	100-035-0013	200-035-0019	300-035-0012	825-035-0179-01-A	545 kg	<ul style="list-style-type: none"> <li>Commonly used in high pressure applications</li> <li>EMH lock ring is painted blue for easy identification and only compatible with EMH gutter sections</li> </ul>
			300-035-0016		1,200 lb	

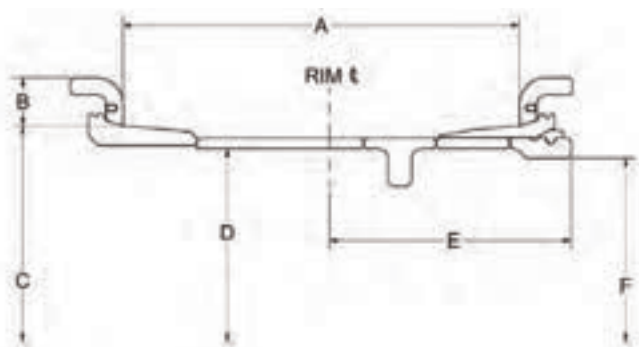


## IGLR/EM (TSR) ASSEMBLIES

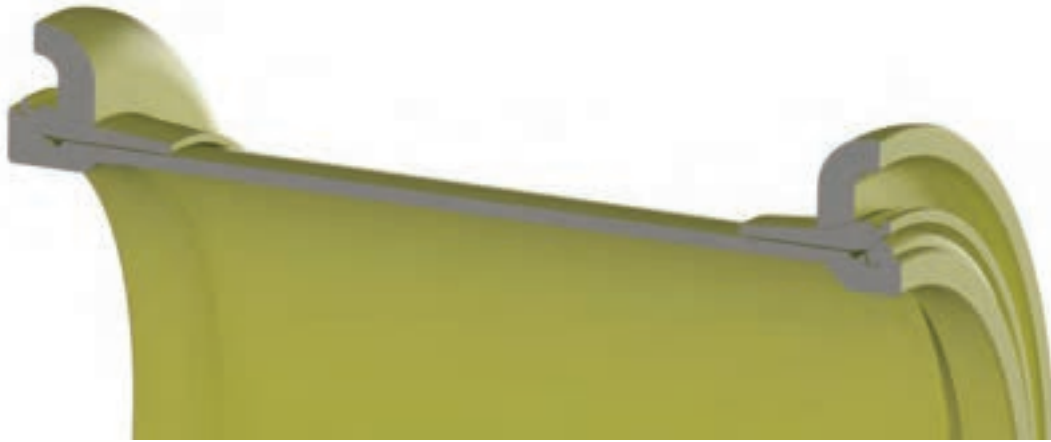


RIM SIZE C x A / B	TYPICAL TYRE SIZE	DIMENSIONS					
		A	B	C	D	E	F
25 x 25 / 3.5	29.5R25	635.0 mm	88.9 mm	635.0 mm	568.4 mm	385.1 mm	543.0 mm
		25.0 in	3.5 in	25.0 in	22.4 in	15.2 in	21.4 in
29 x 27 / 3.5	33.25R29	685.8 mm	88.9 mm	736.6 mm	673.9 mm	421.6 mm	631.9 mm
		27.0 in	3.5 in	29.0 in	26.5 in	16.6 in	24.9 in

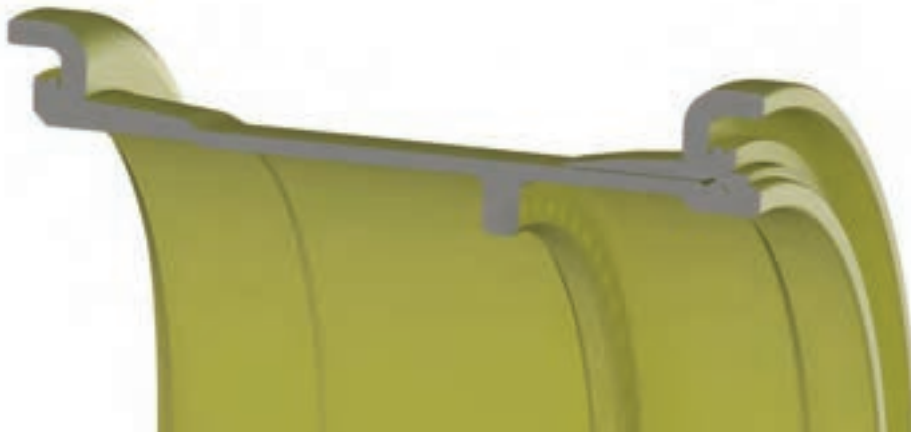
## MST/HDT ASSEMBLIES



RIM SIZE C x A / B	TYPICAL TYRE SIZE	DIMENSIONS					
		A	B	C	D	E	F
63 x 36 / 5.0	53 /80R63	914.4 mm	127.0 mm	1 600.2 mm	1 480.8 mm	571.5 mm	1 435.1 mm
		36.0 in	5.0 in	63.0 in	58.3 in	22.5 in	56.5 in
63 x 41 / 5.0	58 /80R63	1 041.0 mm	127.0 mm	1 600.0 mm	1 480.8 mm	634.0 mm	1 432.0 mm
		41.0 in	5.0 in	63.0 in	58.3 in	25.0 in	56.4 in
63 x 44 / 5.0	59 /80R63	1 117.6 mm	127.0 mm	1 600.0 mm	1 480.8 mm	675.4 mm	1 417.6 mm
		44.0 in	5.0 in	63.0 in	58.3 in	26.6 in	55.8 in

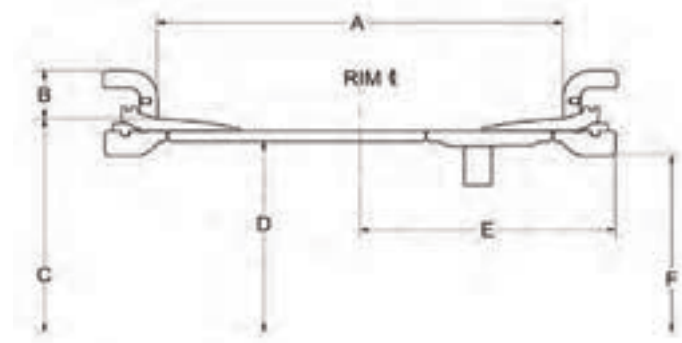


	PART NUMBERS				TOTAL WEIGHT	NOTES
	SIDE RING	BEAD SEAT BAND	LOCK RING	ASSEMBLY NUMBER		
	100-025-0030	200-025-0028	300-025-0004-02	825-025-0864-01-A	426 kg 938 lb	• Suitable for a wide variety of applications
	100-029-0003	200-029-0019	300-029-0001	825-029-0180-01-A	494.1 kg 1,087 lb	



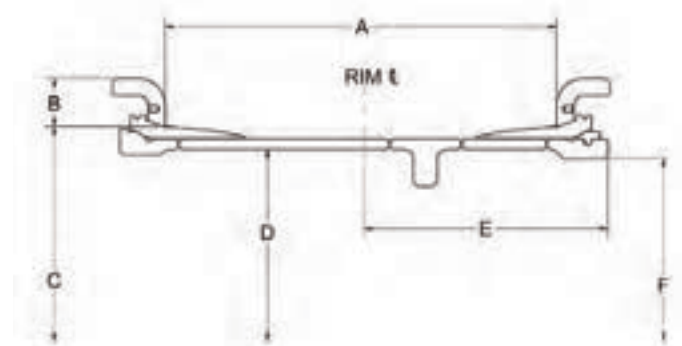
	PART NUMBERS				TOTAL WEIGHT	NOTES
	SIDE RING	BEAD SEAT BAND	LOCK RING	ASSEMBLY NUMBER		
	100-063-0011	200-063-0007	300-063-0014	825-063-0056-01-A	2,874 kg 6,322 lb	• Suitable for a wide variety of applications
	100-063-0011	200-063-0007	300-063-0019	825-063-0083-01-A	2,988 kg 6,573 lb	
	100-063-0011	200-0630007	300-063-0014	825-063-0046-01-A	3,137 kg 6,901 lb	

## MST/HDT DGS ASSEMBLIES



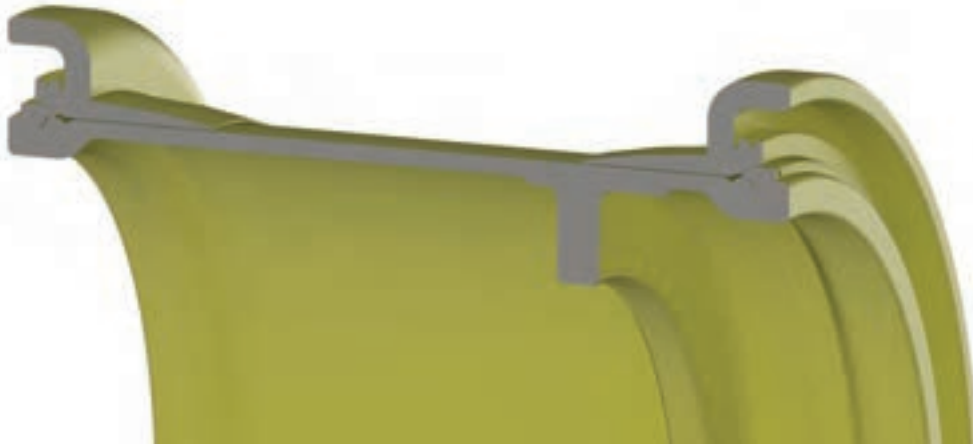
RIM SIZE C x A / B	TYPICAL TYRE SIZE	DIMENSIONS					
		A	B	C	D	E	F
63 x 36 / 5.0	53 /80R63	914.2 mm	127.0 mm	1 600.2 mm	1 480.8 mm	593.0 mm	1 403.3 mm
		36.0 in	5.0 in	63.0 in	58.3 in	23.3 in	55.2 in
63 x 41 / 5.0	58 /80R63	1 041.0 mm	127.0 mm	1 600.2 mm	1 480.8 mm	593.1 mm	1 403.3 mm
		41.0 in	5.0 in	63.0 in	58.3 in	25.8 in	55.2 in

## MST/HDT IGLR ASSEMBLIES



RIM SIZE C x A / B	TYPICAL TYRE SIZE	DIMENSIONS					
		A	B	C	D	E	F
63 x 36 / 5.0	53 /80R63	914.4 mm	127.0 mm	1 600.2 mm	1 480.8 mm	586.0 mm	1 435.1 mm
		36.0 in	5.0 in	63.0 in	58.3 in	23.1 in	56.5 in
63 x 41 / 5.0	58 /80R63	1 041.0 mm	127.0 mm	1 600.2 mm	1 480.8 mm	645.4 mm	1 432.0 mm
		41.0 in	5.0 in	63.0 in	58.3 in	25.4 in	56.4 in

MST/HDT DGS & MST/HDT IGLR ASSEMBLIES

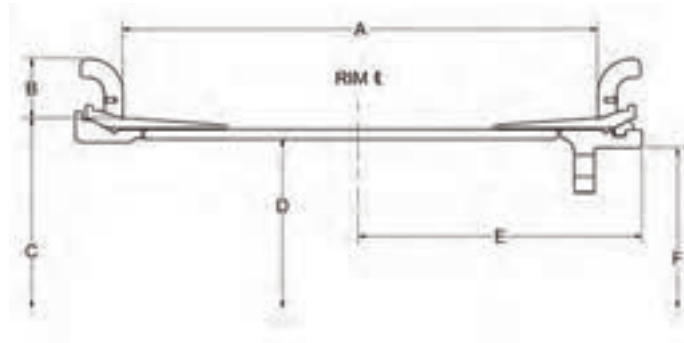


	PART NUMBERS				TOTAL WEIGHT	NOTES
	SIDE RING	BEAD SEAT BAND	LOCK RING	ASSEMBLY NUMBER		
100-063-0011	200-063-0007	300-063-0015	825-063-0047-01-A	3,348 kg	• Suitable for a wide variety of applications	
		300-063-0017		7,366 lb		
100-063-0011	200-063-0007	300-063-0015	825-063-0076-01-A	3,597 kg		
		300-063-0017		7,914 lb		



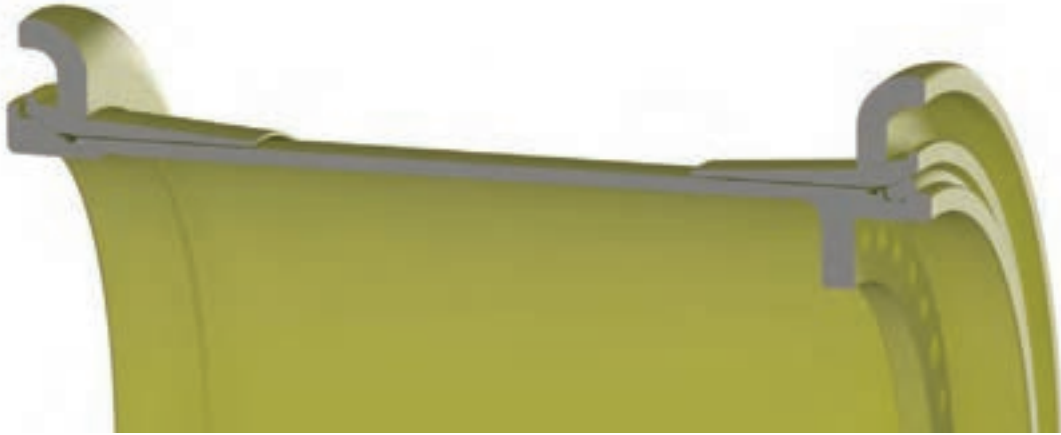
	PART NUMBERS				TOTAL WEIGHT	NOTES
	SIDE RING	BEAD SEAT BAND	LOCK RING	ASSEMBLY NUMBER		
100-063-0011	200-063-0007	300-063-0015	825-063-0053-01-A	3,078 kg	• Suitable for a wide variety of applications	
				6,771 lb		
100-063-0011	200-063-0007	300-063-0017	825-063-0077-01-A	3,173 kg		
				6,980 lb		

# IGLR/EMH (MST) ASSEMBLY



RIM SIZE C x A / B	TYPICAL TYRE SIZE	DIMENSIONS						
		A	B	C	D	E	F	
33 x 28 / 3.5	35 /65 R33	711.2 mm	88.9 mm	838.2 mm	778.0 mm	424.7 mm	748.8 mm	
		28.0 in	3.5 in	33.0 in	30.6 in	16.7 in	29.5 in	

IGLR/EMH (MST) ASSEMBLY



	PART NUMBERS				TOTAL WEIGHT	NOTES
	SIDE RING	BEAD SEAT BAND	LOCK RING	ASSEMBLY NUMBER		
	100-033-0007	200-033-0025	300-033-0015	825-033-0190-01-A	566 kg 1,246 lb	

IGLR/EMH (MST) ASSEMBLY

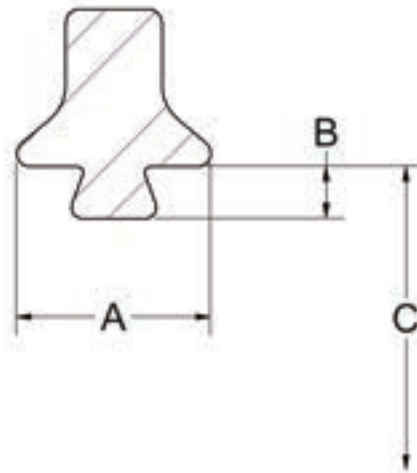


# COMPONENTS

I Lock Rings . . . . .	.56
T Lock Rings . . . . .	.57
EM Lock Rings. . . . .	.58
EV Lock Rings . . . . .	.59
EMH Lock Rings . . . . .	.60
HDT Lock Rings . . . . .	.61
TSR Lock Rings . . . . .	62-63
MST Lock Rings . . . . .	.64
EM EV EMH Bead Seat Bands . . . . .	.65
TSR EMH Bead Seat Bands . . . . .	.66
TSR Bead Seat Bands . . . . .	.67
HDT Bead Seat Bands . . . . .	.68
MST Bead Seat Bands . . . . .	.69
HF Side Rings . . . . .	.70
TSR Side Rings . . . . .	.71
MES Side Rings . . . . .	.72
MST Side Rings . . . . .	.72
Notch Driver. . . . .	.73
Outboard Driver Key . . . . .	.74
Pocket Driver Base . . . . .	.75



# I LOCK RINGS



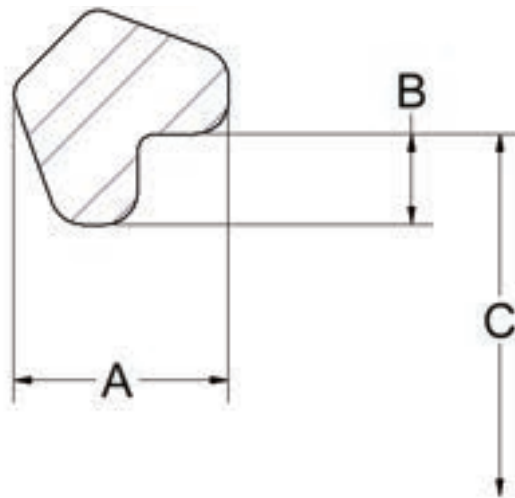
PART #	DIMENSIONS			WEIGHT
	A	B	C	
300-020-0011	22.1 mm	5.9 mm	506.5 mm	4 kg
	0.9 in	0.2 in	19.9 in	9 lb
300-024-0010	15.2 mm	5.9 mm	608.1 mm	4 kg
	0.9 in	0.2 in	23.9 in	10 lb

**NOTES:**

- Commonly used in high pressure applications
- RIMEX uses this design in 20 and 24" rim diameters"
- 4 piece, tube type rim designs
- Industry standard lock ring is easily mismounted
- RIMEX I lock ring CAN NOT be mismounted

LOCK RINGS

# T LOCK RINGS

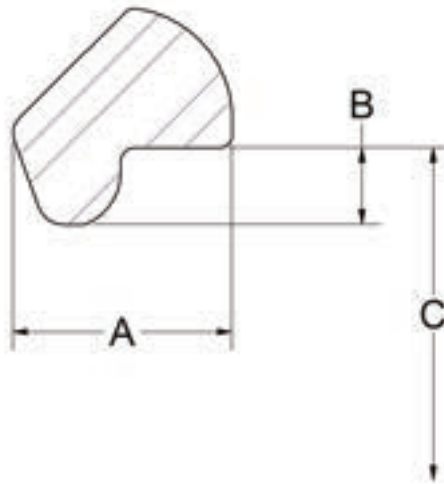


PART #	DIMENSIONS-mm			WEIGHT
	A	B	C	
300-012-0001	15.2 mm	6.3 mm	290.6 mm	1 kg
	0.6 in	0.2 in	11.4 in	2 lb
300-015-0001	15.2 mm	6.3 mm	292.1 mm	1 kg
	0.6 in	0.2 in	14.5 in	3 lb
300-016-0001	15.2 mm	6.3 mm	385.8 mm	1 kg
	0.6 in	0.2 in	15.2 in	3 lb
300-020-0003	15.2 mm	6.3 mm	485.9 mm	1 kg
	0.6 in	0.2 in	19.1 in	4 lb
300-021-0001	15.2 mm	6.3 mm	506.5 mm	1 kg
	0.6 in	0.2 in	19.9 in	4 lb
300-022-0001	15.2 mm	6.3 mm	538.2 mm	1 kg
	0.6 in	0.2 in	21.2 in	4 lb
300-024-0003	15.2 mm	6.3 mm	608.1 mm	2 kg
	0.6 in	0.2 in	23.1 in	4 lb
300-025-0003	15.2 mm	6.3 mm	608.1 mm	2 kg
	0.6 in	0.2 in	23.9 in	5 lb
300-038-0001	15.2 mm	6.3 mm	943.1 mm	3 kg
	0.6 in	0.2 in	37.1 in	7 lb

**NOTES:**

- Used on 3, 4 and 5 piece wheels for light duty graders, loaders and haulage
- RIMEX uses this design in 10 through 38" rim diameters

# EM LOCK RINGS



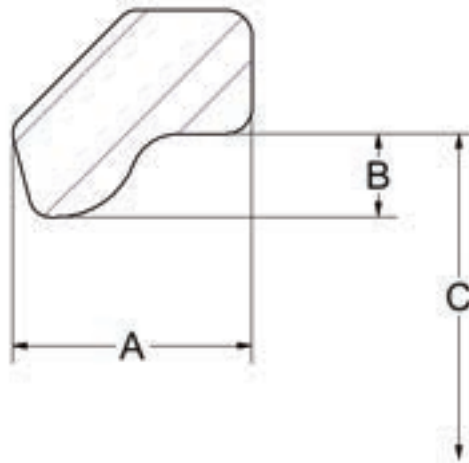
PART #	DIMENSIONS-mm			WEIGHT
	A	B	C	
300-020-0007	25.1 mm	8.7 mm	496.82 mm	4 kg
	1.0 in	0.3 in	19.56 in	10 lb
300-022-0002	25.1 mm	8.7 mm	538.23 mm	5 kg
	1.0 in	0.3 in	21.19 in	10 lb
300-024-0011	25.1 mm	8.7 mm	608.77 mm	5 kg
	1.0 in	0.3 in	23.94 in	12 lb
300-025-0004	25.1 mm	8.7 mm	598.42 mm	5 kg
	1.0 in	0.3 in	23.56 in	12 lb
300-029-0001	25.1 mm	8.7 mm	700.02 mm	6 kg
	1.0 in	0.3 in	27.56 in	14 lb
300-033-0001	25.1 mm	8.7 mm	801.88 mm	7 kg
	1.0 in	0.3 in	31.57 in	16 lb
300-035-0001	25.1 mm	8.7 mm	852.68 mm	7 kg
	1.0 in	0.3 in	33.57 in	17 lb
300-039-0013	25.1 mm	8.7 mm	954.02 mm	8 kg
	1.0 in	0.3 in	37.56 in	19 lb
300-045-0014	25.1 mm	8.7 mm	1 106.68 mm	10 kg
	1.0 in	0.3 in	43.57 in	22 lb
300-049-0016	25.1 mm	8.7 mm	1 208.02 mm	10 kg
	1.0 in	0.3 in	47.56 in	23 lb

**NOTES:**

- Used on 3, 4 and 5 piece wheels and rims in a wide variety of applications
- RIMEX uses this design in 10 through 49" rim diameters

LOCK RINGS

# EV LOCK RINGS

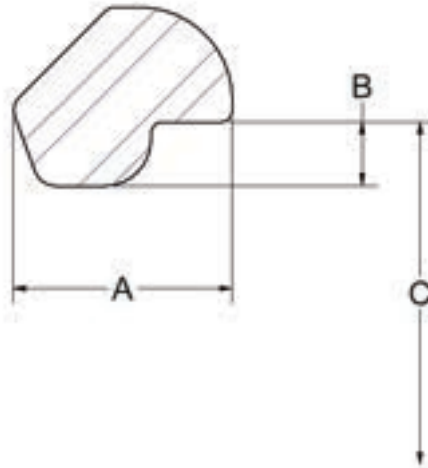


PART #	DIMENSIONS-mm			WEIGHT
	A	B	C	
300-033-0013	28.0 mm	9.7 mm	803.4 mm	8 kg
	1.1 in	0.4 in	31.6 in	18 lb
300-035-0013	28.0 mm	9.7 mm	854.2 mm	9 kg
	1.1 in	0.4 in	33.6 in	20 lb
300-049-0014	28.0 mm	9.7 mm	1 209.8 mm	13 kg
	1.1 in	0.4 in	47.6 in	28 lb

**NOTES:**

- Used on 33, 35 and 49" haulage wheels/rims
- Light duty design
- For higher PSI or heavier load applications, RIMEX strongly recommends EMH

# EMH LOCK RINGS



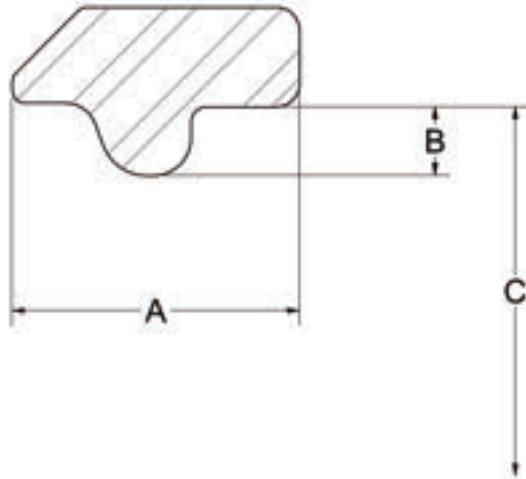
PART #	DIMENSIONS-mm			WEIGHT
	A	B	C	
300-025-0013	30.2 mm	8.7 mm	598.4 mm	7 kg
	1.2 in	0.3 in	23.6 in	16 lb
300-029-0002	30.2 mm	8.7 mm	700.0 mm	7 kg
	1.2 in	0.3 in	27.6 in	16 lb
300-033-0012	30.2 mm	8.7 mm	801.9 mm	9 kg
	1.2 in	0.3 in	31.7 in	21 lb
300-035-0012	30.2 mm	8.7 mm	852.7 mm	10 kg
	1.2 in	0.3 in	33.6 in	23 lb
300-039-0014	30.2 mm	8.7 mm	954.0 mm	11 kg
	1.2 in	0.3 in	37.6 in	25 lb
300-045-0013	30.2 mm	8.7 mm	1 106.4 mm	13 kg
	1.2 in	0.3 in	43.6 in	29 lb
300-049-0013	30.2 mm	8.7 mm	1 208.0 mm	14 kg
	1.2 in	0.3 in	47.6 in	32 lb

**NOTES:**

- RIMEX exclusive design only compatible with EMH gutter sections
- For increased safety in high pressure, heavy load applications
- Painted blue for easy identification
- Used on 25 through 49" wheels/rims for a wide variety of applications
- RIMEX produces 2 piece models for DGS fitment

LOCK RINGS

# HDT LOCK RINGS

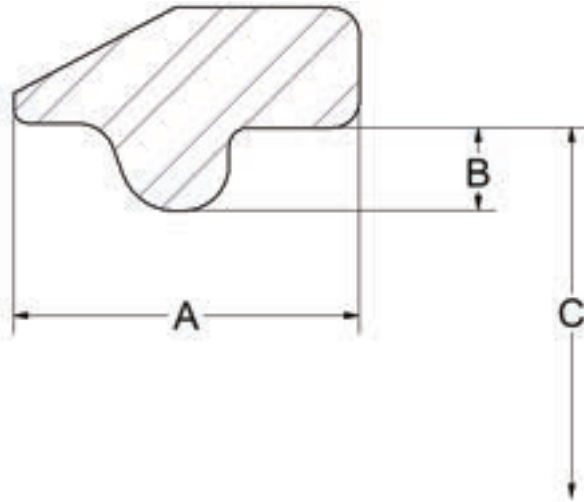


PART #	DIMENSIONS			WEIGHT
	A	B	C	
300-035-0011	59.2 mm	14.2 mm	852.4 mm	29 kg
	2.3 in	0.6 in	33.6 in	64 lb
300-045-0012	59.2 mm	14.2 mm	1 106.4 mm	36 kg
	2.3 in	0.6 in	43.6 in	81 lb
300-049-0012	59.2 mm	14.2 mm	1 208.0 mm	40 kg
	2.3 in	0.6 in	47.6 in	90 lb
300-051-0012	59.2 mm	14.2 mm	1 243.1 mm	38 kg
	2.3 in	0.6 in	48.9 in	84 lb
300-057-0012	59.2 mm	14.2 mm	1 395.9 mm	46 kg
	2.3 in	0.6 in	54.9 in	102 lb
300-063-0004	59.2 mm	14.2 mm	1 547.9 mm	51 kg
	2.3 in	0.6 in	60.9 in	113 lb

## NOTES:

- Industry standard used by most manufacturers for 51, 57 and 63" applications
- RIMEX uses on a variety of applications from 45 through 63"
- RIMEX produces a variety of 2 piece models for DGS/IGLR fitment

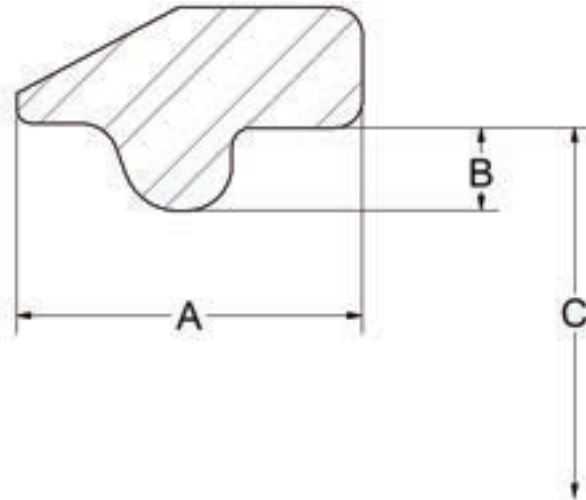
# TSR LOCK RINGS



LOCK RINGS

PART #	DIMENSIONS			WEIGHT
	A	B	C	
300-033-0014	59.2 mm	14.2 mm	801.6 mm	25 kg
	2.3 in	0.6 in	31.6 in	56 lb
300-035-0014	59.2 mm	14.2 mm	852.4 mm	27 kg
	2.3 in	0.6 in	33.6 in	60 lb
300-039-0011	59.2 mm	14.2 mm	954.0 mm	30 kg
	2.3 in	0.6 in	37.6 in	67 lb
300-045-0011	59.2 mm	14.2 mm	1 106.4 mm	35 kg
	2.3 in	0.6 in	43.6 in	78 lb
300-049-0011	59.2 mm	14.2 mm	1 208.0 mm	39 kg
	2.3 in	0.6 in	47.6 in	85 lb
300-049-0018	59.2 mm	14.2 mm	1 208.0 mm	38 kg
	2.3 in	0.6 in	47.6 in	83 lb
300-049-0021	59.2 mm	14.2 mm	1 208.0 mm	37 kg
	2.3 in	0.6 in	47.6 in	81 lb
300-051-0011	59.2 mm	14.2 mm	1 234.1 mm	38 kg
	2.3 in	0.6 in	48.9 in	84 lb
300-051-0016	59.2 mm	14.2 mm	1 234.1 mm	39 kg
	2.3 in	0.6 in	48.9 in	85 lb
300-057-0011	59.2 mm	14.2 mm	1 395.5 mm	44 kg
	2.3 in	0.6 in	54.9 in	97 lb
300-057-0020	59.2 mm	14.2 mm	1 395.5 mm	21 kg
	2.3 in	0.6 in	54.9 in	47 lb
300-057-0028	59.2 mm	14.2 mm	1 395.5 mm	46 kg
	2.3 in	0.6 in	54.9 in	102 lb
300-057-0031	59.2 mm	14.2 mm	1 395.5 mm	46 kg
	2.3 in	0.6 in	54.9 in	101 lb
300-057-0040	59.2 mm	14.2 mm	1 395.5 mm	43 kg
	2.3 in	0.6 in	54.9 in	94 lb
300-063-0001	59.2 mm	14.2 mm	1 547.9 mm	48 kg
	2.3 in	0.6 in	60.9 in	105 lb
300-063-0005	59.2 mm	14.2 mm	1 547.9 mm	48 kg
	2.3 in	0.6 in	60.9 in	105 lb

## TSR LOCK RINGS *continued*



PART #	DIMENSIONS			WEIGHT
	A	B	C	
300-063-0013	59.2 mm	14.2 mm	1 547.9 mm	24 kg
	2.3 in	0.6 in	60.9 in	52 lb
300-063-0026	59.2 mm	14.2 mm	1 547.9 mm	47 kg
	2.3 in	0.6 in	60.9 in	104 lb
300-063-0028	59.2 mm	14.2 mm	1 547.9 mm	49 kg
	2.3 in	0.6 in	60.9 in	109 lb

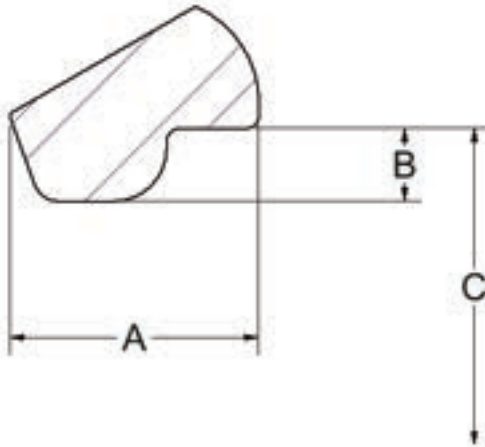
### NOTES:

- RIMEX exclusive design only compatible with TSR components [NOT interchangeable]
- Designed for increased safety and the longest service life in the industry
- Used on 33 through 63" applications
- RIMEX produces a variety of 2 piece models for DGS fitment
- TSR lock ring is painted red for easy identification



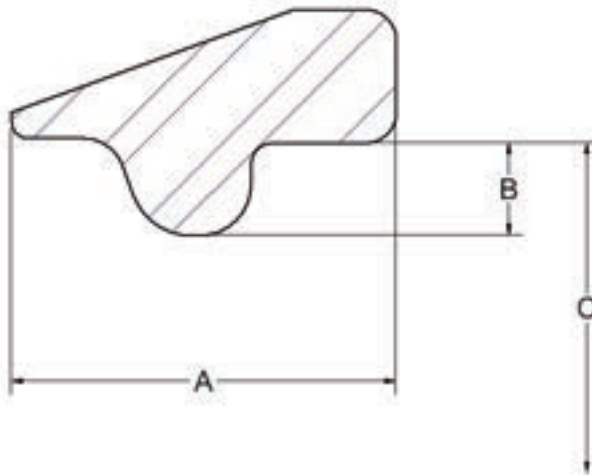
# MST LOCK RINGS

## MST LOCK RING (33")



PART #	DIMENSIONS			WEIGHT
	A	B	C	
300-033-0015	30.2 mm	8.7 mm	801.6 mm	8 kg
	1.2 in	0.3 in	31.6 in	18 lb

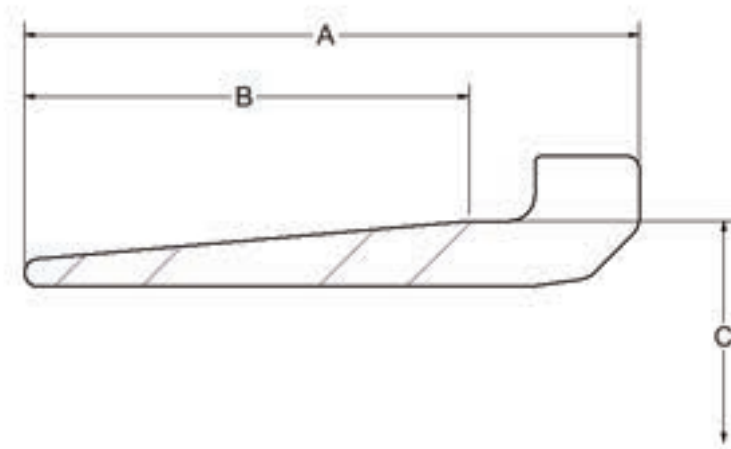
## MST LOCK RINGS (45" AND UP)



PART #	DIMENSIONS			WEIGHT
	A	B	C	
300-033-0015	59.2 mm	14.2 mm	801.6 mm	18 kg
	2.3 in	0.6 in	31.6 in	40 lb
300-045-0015	59.2 mm	14.2 mm	1 106.7 mm	30 kg
	2.3 in	0.6 in	43.6 in	66 lb
300-057-0025	59.2 mm	14.2 mm	1 395.5 mm	39 kg
	2.3 in	0.6 in	54.9 in	87 lb
300-063-0014	59.2 mm	14.2 mm	1 535.2 mm	49 kg
	2.3 in	0.6 in	60.4 in	108 lb

LOCK RINGS

# EM EV EMH BEAD SEAT BANDS



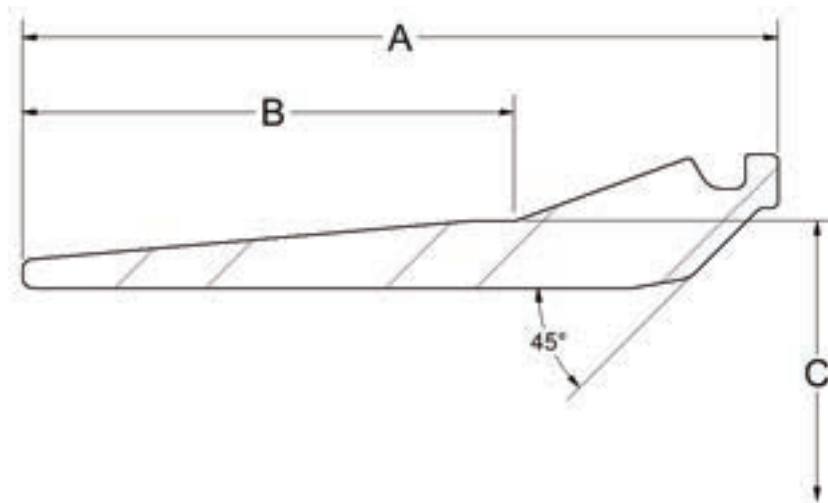
DIAMETER	PART #	DIMENSIONS			WEIGHT
		A	B	C	
25	200-025-0004	158.7 mm	130.3 mm	635.0 mm	34 kg
		6.5 in	5.1 in	25.0 in	75 lb
25	200-025-0015	101.6 mm	66.5 mm	635.0 mm	24 kg
		4.0 in	2.6 in	25.0 in	54 lb
29	200-029-0010	190.5 mm	149.1 mm	736.6 mm	45 kg
		7.5 in	5.9 in	29.0 in	100 lb
33	200-033-0014	149.3 mm	107.9 mm	838.2 mm	44 kg
		5.9 in	4.2 in	33.0 in	96 lb
35	200-035-0014	149.3 mm	107.9 mm	889.0 mm	46 kg
		5.9 in	4.2 in	35.0 in	102 lb
39	200-039-0011	165.1 mm	107.95 mm	990.6 mm	59 kg
		6.5 in	4.2 in	39.0 in	131 lb
45	200-045-0017	184.1 mm	127.0 mm	1 143.0 mm	73 kg
		7.2 in	5.0 in	45.0 in	159 lb
49	200-049-0023	184.1 mm	127.0 mm	1 244.6 mm	79 kg
		7.2 in	5.0 in	49.0 in	173 lb

BEAD SEAT BANDS

## NOTES:

- RIMEX produces a variety of lengths for radial or bias ply tyres
- Numerous Driver configurations available—the most common have been shown
- Custom solutions available upon request
- 24 - 63" bead seat bands are available with an integral or non-integral Fail To Safe (FTS)

# TSR EMH BEAD SEAT BANDS



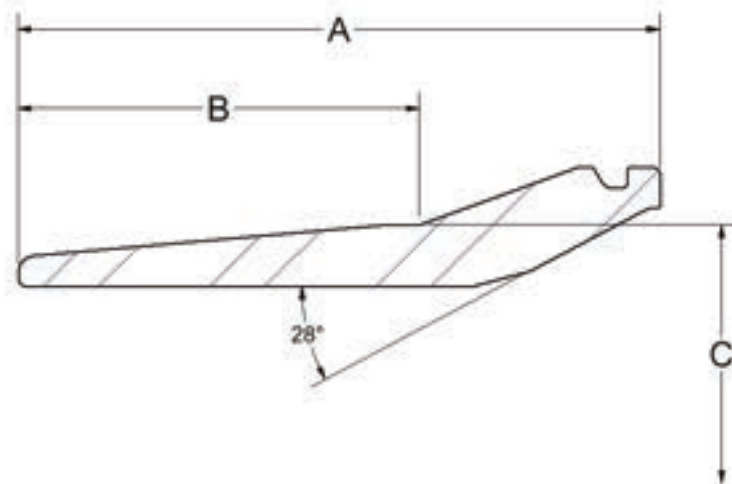
DIAMETER	PART #	DIMENSIONS			WEIGHT
		A	B	C	
25	200-025-0022	177.8 mm	132.1 mm	635.0 mm	37 kg
		7.0 in	5.2 in	25.0 in	81 lb
29	200-029-0019	142.7 mm	80.0 mm	736.6 mm	42 kg
		5.6 in	3.1 in	29.0 in	92 lb
33	200-033-0023	228.6 mm	165.9 mm	838.2 mm	63 kg
		9.0 in	6.5 in	33.0 in	138 lb
35	200-035-0019	179.3 mm	116.6 mm	889.0 mm	57 kg
		7.1 in	4.6 in	35.0 in	126 lb
39	200-039-0014	188.5 mm	105.2 mm	990.6 mm	87 kg
		7.42 in	4.1 in	39.0 in	192 lb
49	200-049-0024	177.8 mm	116.3 mm	1 245.0 mm	81 kg
		7.0 in	4.6 in	49.0 in	178 lb

**NOTES:**

- RIMEX produces a variety of lengths for radial or bias ply tyres
- Numerous Driver configurations available—the most common have been shown
- Custom solutions available upon request
- 24 - 63" bead seat bands are available with an integral or non-integral Fail To Safe (FTS)

BEAD SEAT BANDS

# TSR BEAD SEAT BANDS

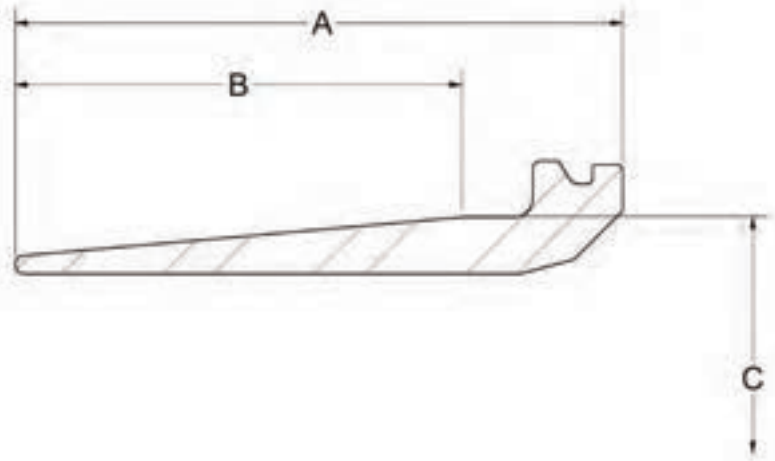


DIAMETER	PART #	DIMENSIONS			WEIGHT
		A	B	C	
45	200-045-0012	209.5 mm	130.0 mm	1 143.0 mm	85 kg
		8.2 in	5.1 in	45.0 in	188 lb
49	200-049-0028	184.1 mm	114.8 mm	1 244.6 mm	79 kg
		7.2 in	4.5 in	49.0 in	174 lb
51	200-051-0017	279.4 mm	186.7 mm	1 295.4 mm	177 kg
		11.0 in	7.3 in	51.0 in	390 lb
51	200-051-0021	220.7 mm	128.0 mm	1 295.4 mm	156 kg
		8.7 in	5.0 in	51.0 in	344 lb
57	200-057-0014	289.6 mm	196.8 mm	1 447.8 mm	236 kg
		11.4 in	7.7 in	57.0 in	519 lb
57	200-057-0023	247.6 mm	154.9 mm	1 447.8 mm	186 kg
		9.7 in	6.1 in	57.0 in	410 lb
63	200-063-0003	273.0 mm	172.5 mm	1 600.2 mm	215 kg
		10.7 in	6.8 in	63.0 in	473 lb

## NOTES:

- RIMEX produces a variety of lengths for radial or bias ply tyres
- Numerous Driver configurations available—the most common have been shown
- Custom solutions available upon request
- 24 - 63" bead seat bands are available with an integral or non-integral Fail To Safe (FTS)

# HDT BEAD SEAT BANDS



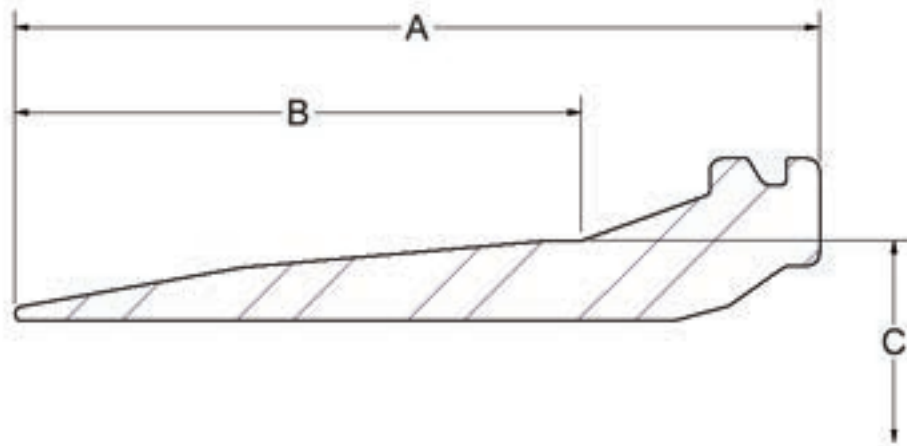
BEAD SEAT BANDS

DIAMETER	PART #	DIMENSIONS			WEIGHT
		A	B	C	
49	200-049-0032	202.4 mm	127.0 mm	1 244.6 mm	86 kg
		8.0 in	5.0 in	49.0 in	189 lb
51	200-051-0015	181.6 mm	114.8 mm	1 295.4 mm	131 kg
		7.1 in	4.5 in	51.0 in	288 lb
51	200-051-0018	254.0 mm	187.4 mm	1 295.4 mm	151 kg
		10.0 in	7.4 in	51.0 in	332 lb
51	200-051-0023	200.9 mm	114.8 mm	1 295.4 mm	148 kg
		7.9 in	4.5 in	51.0 in	325 lb
57	200-057-0018	257.3 mm	189.2 mm	1 447.8 mm	174 kg
		10.1 in	7.4 in	57.0 in	383 lb
57	200-057-0024	210.3 mm	142.2 mm	1 447.8 mm	157 kg
		8.3 in	5.6 in	57.0 in	346 lb
57	200-057-0028	248.9 mm	160.3 mm	1 447.8 mm	185 kg
		9.8 in	6.3 in	57.0 in	406 lb
57	200-057-0039	301.7 mm	233.4 mm	1 447.8 mm	202 kg
		11.9 in	9.2 in	57.0 in	445 lb
63	200-063-0004	285.7 mm	199.9 mm	1 600.2 mm	292 kg
		11.2 in	7.9 in	63.0 in	643 lb

**NOTES:**

- Custom solutions available upon request
- 24 - 63" bead seat bands are available with an integral or non-integral Fail To Safe (FTS)

# MST BEAD SEAT BANDS

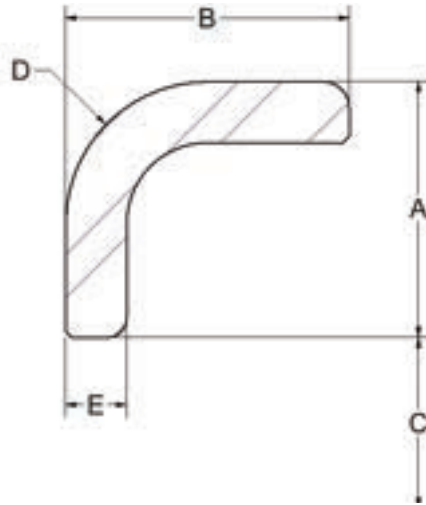


DIAMETER	PART #	DIMENSIONS			WEIGHT
		A	B	C	
33	200-033-0025	209.5 mm	159.0 mm	838.2 mm	55 kg
		8.2 in	6.3 in	33.0 in	121 lb
45	200-045-0018	196.9 mm	141.2 mm	1 143.0 mm	76 kg
		7.7 in	5.6 in	45.0 in	167 lb
57	200-057-0041	210.3 mm	143.8 mm	1 447.8 mm	160 kg
		8.9 in	5.7 in	57.0 in	352 lb
63	200-063-0007	302.0 mm	212.6 mm	1 524.0 mm	310 kg
		11.9 in	8.4 in	60.0 in	683 lb

**NOTES:**

- RIMEX produces a variety of lengths for radial or bias ply tyres
- Numerous Driver configurations available—the most common have been shown
- Custom solutions available upon request
- 24 - 63" bead seat bands are available with an integral or non-integral Fail To Safe (FTS)

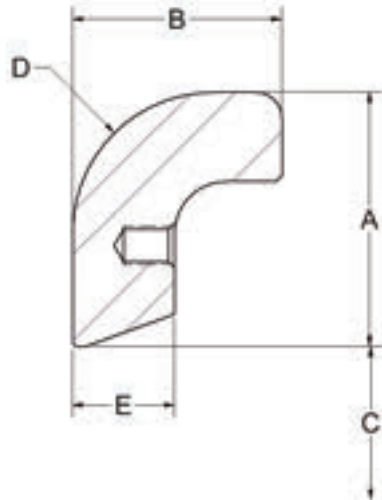
# HF SIDE RINGS



SIDE RINGS

RIM DIAMETER	PART #	DIMENSIONS					WEIGHT
		A	B	C	D	E	
25	100-025-0031	38.1 mm	35.6 mm	635.5 mm	29.0 mm	12.0 mm	10 kg
		1.5 in	1.4 in	25.1 in	1.1 in	0.5 in	22 lb
25	100-025-0020	50.8 mm	38.1 mm	635.5 mm	31.7 mm	12.0 mm	13 kg
		2.0 in	1.5 in	25.1 in	1.2 in	0.5 in	28 lb
25	100-025-0018	63.5 mm	48.3 mm	635.5 mm	38.1 mm	14.0 mm	20 kg
		2.5 in	1.9 in	25.1 in	1.5 in	0.5 in	44 lb
25	100-025-0015	76.2 mm	55.9 mm	635.5 mm	44.4 mm	16.0 mm	28 kg
		3.0 in	2.2 in	25.1 in	1.7 in	0.6 in	62 lb
25	100-025-0017	88.9 mm	63.5 mm	635.5 mm	50.8 mm	16.0 mm	34 kg
		3.5 in	2.5 in	25.1 in	2.0 in	0.6 in	74 lb
33	100-033-0004	63.5 mm	48.3 mm	839.7 mm	38.1 mm	14.0 mm	26 kg
		2.5 in	1.9 in	33.1 in	1.5 in	0.5 in	57 lb
33	100-033-0003	88.9 mm	53.3 mm	839.7 mm	50.8 mm	16.0 mm	49 kg
		3.5 in	2.1 in	33.1 in	2.0 in	0.6 in	108 lb
33	100-033-0005	101.6 mm	69.9 mm	839.7 mm	50.8 mm	16.0 mm	51 kg
		4.0 in	2.7 in	33.1 in	2.0 in	0.6 in	113 lb
35	100-035-0005	76.2 mm	58.4 mm	890.5 mm	44.4 mm	14.0 mm	34 kg
		3.0 in	2.3 in	35.1 in	1.7 in	0.5 in	76 lb
35	100-035-0002	88.9 mm	66.0 mm	890.5 mm	50.4 mm	16.0 mm	46 kg
		3.5 in	2.6 in	35.1 in	2.0 in	0.6 in	102 lb
39	100-035-0014	101.6 mm	69.8 mm	890.5 mm	57.1 mm	16.0 mm	53 kg
		4.0 in	2.7 in	35.1 in	2.2 in	0.6 in	116 lb
45	100-045-0013	114.3 mm	86.4 mm	1 144.5 mm	63.5 mm	18.0 mm	90 kg
		4.5 in	3.4 in	45.1 in	2.5 in	0.7 in	198 lb
49	100-049-0019	88.9 mm	81.3 mm	1 246.1 mm	50.8 mm	18.0 mm	79 kg
		3.5 in	3.2 in	49.1 in	2.0 in	0.7 in	175 lb
49	100-049-0015	101.6 mm	78.7 mm	1 246.1 mm	57.1 mm	18.0 mm	83 kg
		4.0 in	3.1 in	49.1 in	2.2 in	0.7 in	182 lb
51	100-051-0004	114.3 mm	104.1 mm	1 296.9 mm	63.5 mm	22.0 mm	122 kg
		4.5 in	4.1 in	51.1 in	2.5 in	0.9 in	269 lb
51	100-051-0023	127.0 mm	104.1 mm	1 296.9 mm	69.8 mm	22.0 mm	142 kg
		5.0 in	4.1 in	51.1 in	2.7 in	0.9 in	313 lb
57	100-057-0020	127.0 mm	132.1 mm	1 449.3 mm	69.8 mm	28.0 mm	227 kg
		5.0 in	5.2 in	57.1 in	2.7 in	1.1 in	500 lb
57	100-057-0038	152.4 mm	132.1 mm	1 449.3 mm	83.8 mm	25.0 mm	229 kg
		6.0 in	5.2 in	57.1 in	3.3 in	1.0 in	503 lb
57	100-057-0027	165.1 mm	142.2 mm	1 449.3 mm	69.8 mm	28.0 mm	289 kg
		6.5 in	5.6 in	57.1 in	2.7 in	1.1 in	637 lb
63	100-063-0004	127.0 mm	139.7 mm	1 601.7 mm	69.8 mm	30.0 mm	277 kg
		5.0 in	5.5 in	63.1 in	2.7 in	1.2 in	610 lb

# TSR SIDE RINGS

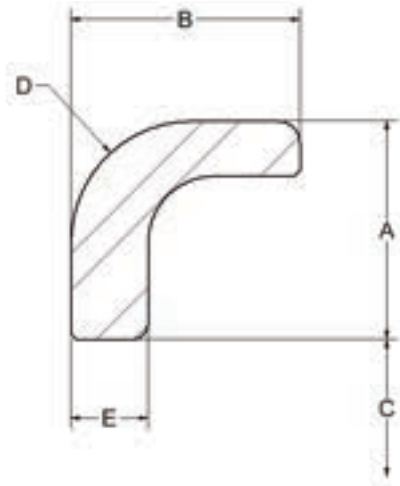


RIM DIAMETER	PART #	DIMENSIONS					WEIGHT
		A	B	C	D	E	
25	100-025-0012	63.5 mm	45.7 mm	635.8 mm	38.1 mm	24.9 mm	30 kg
		2.5 in	1.8 in	25.0 in	1.5 in	1.0 in	67 lb
25	100-025-0027	76.2 mm	58.4 mm	635.8 mm	44.4 mm	35.0 mm	50 kg
		3.0 in	2.3 in	25.0 in	1.7 in	1.4 in	110 lb
29	100-029-0003	88.9 mm	58.4 mm	737.4 mm	50.8 mm	35.0 mm	65 kg
		3.5 in	2.3 in	29.0 in	2.0 in	1.4 in	144 lb
33	100-033-0015	63.5 mm	48.3 mm	839.0 mm	38.1 mm	33.3 mm	45 kg
		2.5 in	1.9 in	33.0 in	1.5 in	1.3 in	100 lb
33	100-033-0007	88.9 mm	63.5 mm	839.0 mm	50.8 mm	28.0 mm	67 kg
		3.5 in	2.5 in	33.0 in	2.0 in	1.1 in	148 lb
35	100-035-0013	88.9 mm	63.5 mm	889.8 mm	50.8 mm	38.1 mm	88 kg
		3.5 in	2.5 in	35.0 in	2.0 in	1.5 in	194 lb
45	100-045-0014	114.3 mm	101.6 mm	1 143.8 mm	63.5 mm	38.1 mm	174 kg
		4.5 in	4.0 in	45.0 in	2.5 in	1.5 in	384 lb
49	100-049-0023	88.9 mm	88.9 mm	1 245.4 mm	50.8 mm	38.1 mm	143 kg
		3.5 in	3.5 in	49.0 in	2.0 in	1.5 in	316 lb
49	100-049-0022	101.6 mm	78.7 mm	1 245.4 mm	57.1 mm	38.1 mm	146 kg
		4.0 in	3.1 in	49.0 in	2.2 in	1.5 in	322 lb
51	100-051-0025	114.3 mm	104.1 mm	1 296.2 mm	63.5 mm	50.8 mm	224 kg
		4.5 in	4.1 in	51.0 in	2.5 in	2.0 in	494 lb
51	100-051-0024	127.0 mm	104.1 mm	1 296.2 mm	69.8 mm	50.8 mm	267 kg
		5.0 in	4.1 in	51.0 in	2.7 in	2.0 in	587 lb
57	100-057-0024	127.0 mm	132.1 mm	1 448.6 mm	69.8 mm	53.8 mm	323 kg
		5.0 in	5.2 in	57.0 in	2.7 in	2.1 in	711 lb
57	100-057-0025	152.4 mm	132.1 mm	1 448.6 mm	83.8 mm	52.6 mm	399 kg
		6.0 in	5.2 in	57.0 in	3.3 in	2.1 in	878 lb
57	100-057-0023	165.1 mm	132.1 mm	1 448.6 mm	69.8 mm	53.8 mm	486 kg
		6.5 in	5.2 in	57.0 in	2.7 in	2.1 in	1070 lb
63	100-063-0009	127.0 mm	142.2 mm	1 601.0 mm	69.8 mm	58.9 mm	412 kg
		5.0 in	5.6 in	63.0 in	2.7 in	2.3 in	907 lb

SIDERINGS

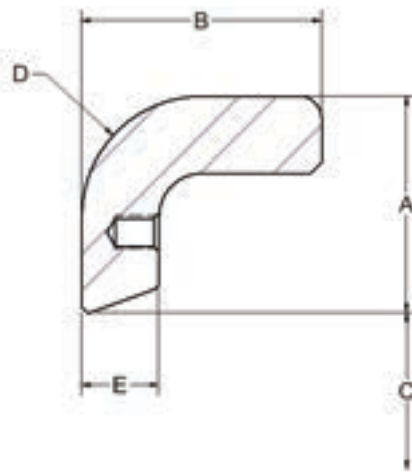


## MES SIDE RINGS



RIM DIAMETER	PART #	DIMENSIONS-mm					WEIGHT
		A	B	C	D	E	
57	100-057-0034	152.4 mm	132.1 mm	1 449.3 mm	83.8 mm	44.4 mm	343 kg
		6.0 in	5.2 in	57.1 in	3.3 in	1.7 in	755 lb
57	100-057-0036	152.4 mm	132.1 mm	1 449.3 mm	83.8 mm	44.4 mm	370 kg
		6.0 in	5.2 in	57.1 in	3.3 in	1.7 in	814 lb
57	100-057-0037	127.2 mm	132.1 mm	1 449.3 mm	69.8 mm	44.4 mm	300 kg
		5.0 in	5.2 in	57.1 in	2.7 in	1.7 in	661 lb
63	100-063-0010	127.2 mm	139.7 mm	1 601.7 mm	69.8 mm	44.9 mm	388 kg
		5.0 in	5.5 in	63.1 in	2.7 in	1.8 in	854 lb

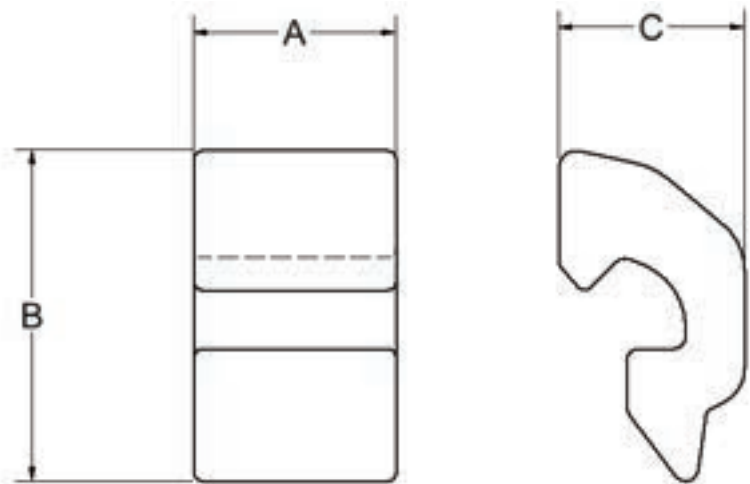
## MST SIDE RINGS



RIM DIAMETER	PART #	DIMENSIONS					WEIGHT
		A	B	C	D	E	
63	100-063-0011	127.0 mm	139.7 mm	1 601.7 mm	69.8 mm	45.0 mm	377 kg
		127.0 in	115.1 in	1 601.7 in	69.8 in	45.0 in	288 lb
63	100-063-0013	5.0 mm	5.5 mm	63.1 mm	2.7 mm	1.8 mm	830 kg
		5.0 in	4.5 in	63.1 in	2.7 in	1.8 in	634 lb

SIDE RINGS

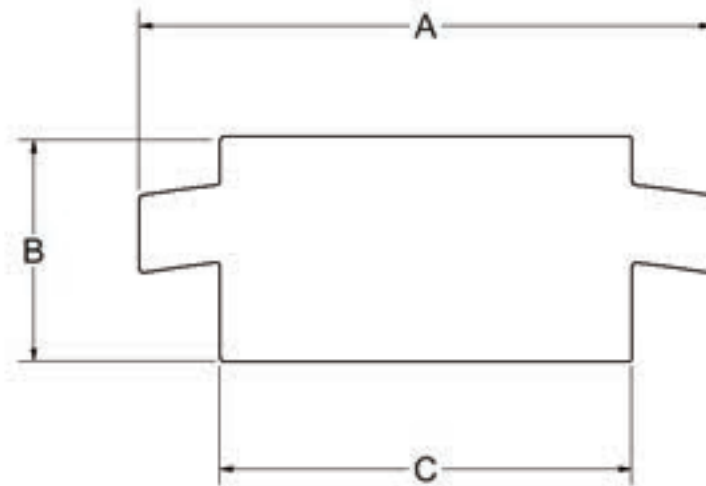
# NOTCH DRIVER



PART #	DIMENSIONS			WEIGHT
	A	B	C	
710-000-0052	38.1 mm	62.7 mm	35.0 mm	0.3 kg
	1.5 in	2.5 in	1.4 in	0.8 lb

NOTCH DRIVER

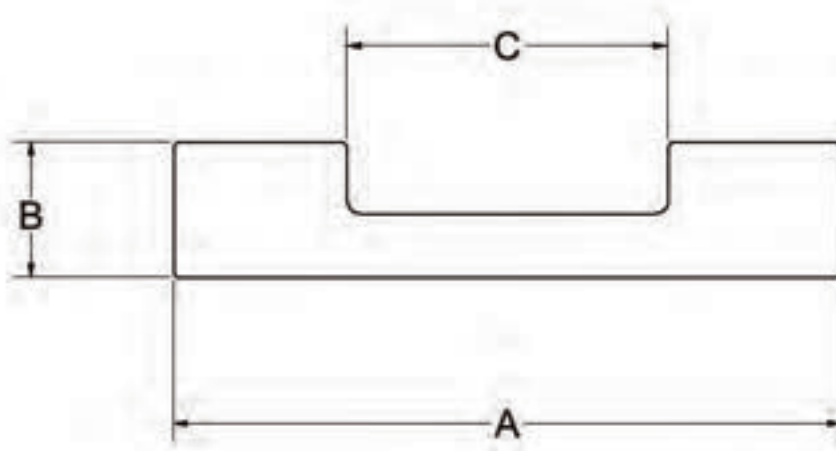
# OUTBOARD DRIVER KEY



PART #	DIMENSIONS			WEIGHT
	A	B	C	
710-000-0011	99.0 mm	63.5 mm	73.7 mm	1 kg
	3.9 in	2.5 in	2.9 in	2 lb
710-000-0012	99.0 mm	63.5 mm	73.7 mm	1 kg
	3.9 in	2.5 in	2.9 in	1. lb
710-000-0015	99.0 mm	63.5 mm	73.7 mm	1 kg
	3.9 in	2.5 in	2.9 in	2 lb
710-000-0027	104.9 mm	76.2 mm	54.1 mm	1 kg
	4.1 in	3.0 in	2.1 in	3 lb
710-000-0047	86.4 mm	74.7 mm	N/A	1 kg
	3.9 in	2.9 in	N/A	3 lb
710-000-0050	156.0 mm	77.7 mm	100.1 mm	0.1 kg
	6.1 in	3.1 in	3.9 in	3 lb
710-000-0059	99.0 mm	63.5 mm	73.7 mm	1 kg
	3.9 in	2.5 in	2.9 in	2 lb
710-039-0001	99.0 mm	63.5 mm	73.7 mm	1 kg
	3.9 in	2.5 in	2.9 in	2 lb
710-045-0017	182.9 mm	79.2 mm	149.4 mm	2 kg
	7.9 in	3.1 in	5.9 in	5 lb
710-045-0020	182.9 mm	79.2 mm	149.4 mm	2 kg
	7.9 in	3.1 in	5.9 in	4 lb
710-057-0047	225.6 mm	88.9 mm	162.1 mm	3 kg
	8.9 in	3.5 in	6.4 in	7 lb
710-057-0050	225.6 mm	88.9 mm	162.1 mm	4 kg
	8.9 in	3.5 in	6.4 in	10 lb

OUTBOARD DRIVER KEY

# POCKET DRIVER BASE



PART #	DIMENSIONS			WEIGHT
	A	B	C	
710-000-0014	160.3 mm	31.7 mm	74.9 mm	0.5 kg
	6.3 in	1.2 in	2.9 in	1 lb
710-000-0041	209.5 mm	36.6 mm	74.7 mm	1 kg
	8.2 in	1.4 in	2.9 in	3 lb
710-000-0048	304.8 mm	47.5 mm	101.6 mm	3 kg
	12.0 in	1.9 in	4.0 in	6 lb
710-000-0049	304.8 mm	56.4 mm	101.6 mm	6 kg
	12.0 in	2.2 in	4.0 in	12 lb
710-000-0055	304.8 mm	56.4 mm	101.6 mm	4 kg
	12.0 in	2.2 in	4.0 in	8 lb
710-000-0056	238.3 mm	31.7 mm	74.9 mm	1 kg
	9.4 in	1.2 in	2.9 in	2 lb
710-000-0057	238.3 mm	31.7 mm	74.9 mm	1 kg
	9.4 in	1.2 in	2.9 in	2 lb
710-045-0015	361.9 mm	65.8 mm	152.4 mm	3 kg
	14.2 in	2.6 in	6.0 in	7 lb
710-045-0016	349.2 mm	33.3 mm	152.4 mm	2 kg
	13.7 in	1.3 in	6.0 in	5 lb
710-045-0018	361.9 mm	65.8 mm	152.4 mm	4 kg
	14.2 in	2.6 in	6.0 in	10 lb
710-045-0019	349.2 mm	33.3 mm	101.6 mm	3 kg
	13.7 in	1.3 in	4.0 in	6 lb
710-051-0016	238.0 mm	84.1 mm	57.1 mm	2 kg
	9.4 in	3.3 in	2.2 in	4 lb
710-051-0027	254.0 mm	57.1 mm	57.1 mm	2 kg
	10.0 in	2.2 in	2.2 in	4 lb
710-057-0044	348.0 mm	46.0 mm	163.6 mm	2 kg
	13.7 in	1.8 in	6.4 in	7 lb
710-057-0049	238.0 mm	95.2 mm	57.1 mm	3 kg
	9.4 in	3.7 in	2.2 in	5 lb
710-057-0051	344.2 mm	122.2 mm	165.1 mm	11 kg
	13.5 in	4.8 in	6.5 in	25 lb

POCKET DRIVER

**RIMEX.com.au**